

## **HORIZONTAL SLIDING WINDOW SERIES 950**

**AAMA/WDMA/CSA 101/I.S.2/A440-08**

Rating:	AW-PG90
Air Infiltration:	0.11 cfm/ft at 6.2 psf
Water Resistance:	No Leakage at 12.00 psf
Structural Performance:	135.00 psf
Thermal Break:	Yes
Main Frame Depth:	4"
Glazing Thickness:	1 1/4" - Maximum

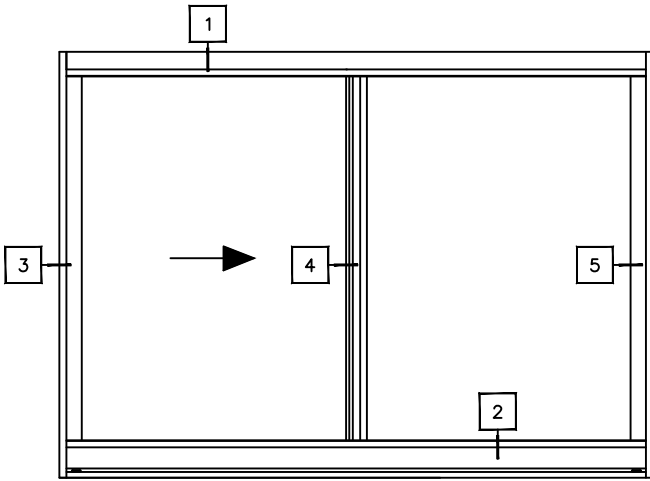
**Let's Shine.**

800.737.2800 • fax 417.862.1232 • [BoydAluminum.com](http://BoydAluminum.com)

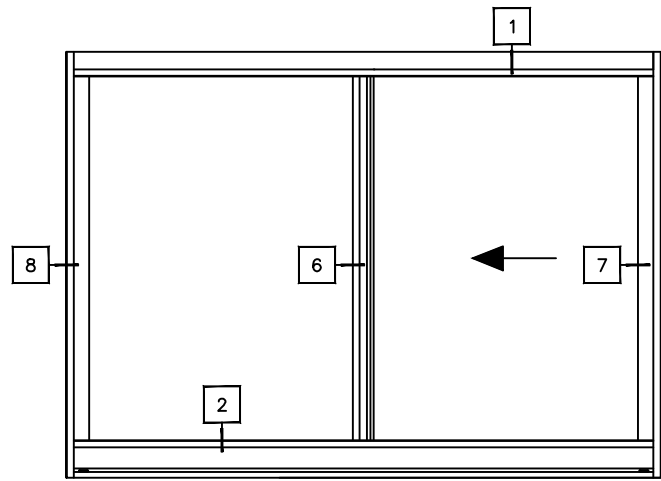
©2011 Boyd Aluminum Manufacturing. The Boyd sunburst and logotype are trademarks of Boyd Aluminum Manufacturing. All rights reserved. Due to continued product research, specifications are subject to change without notice.

**D1-1**

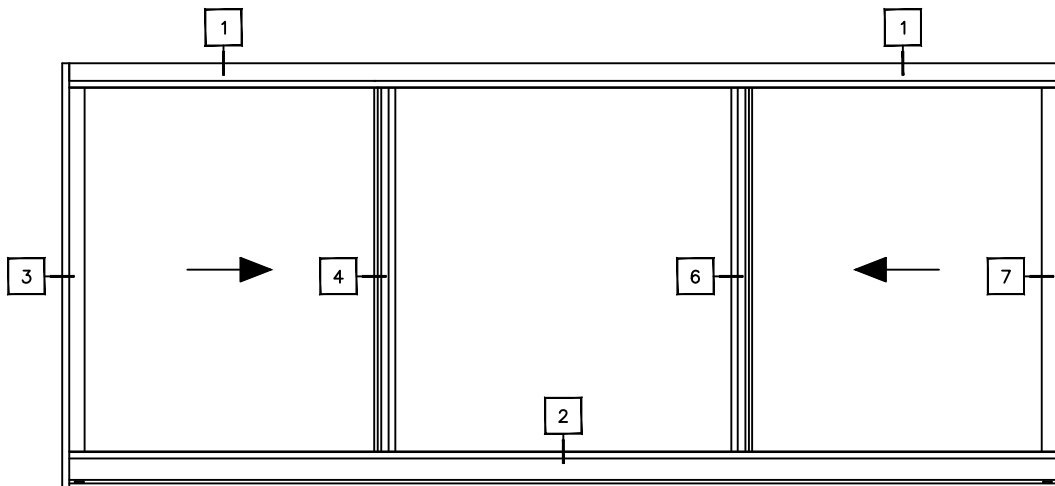
Boyd 2012



HORIZONTAL SLIDER (XO)



HORIZONTAL SLIDER (OX)



HORIZONTAL SLIDER (XOX)

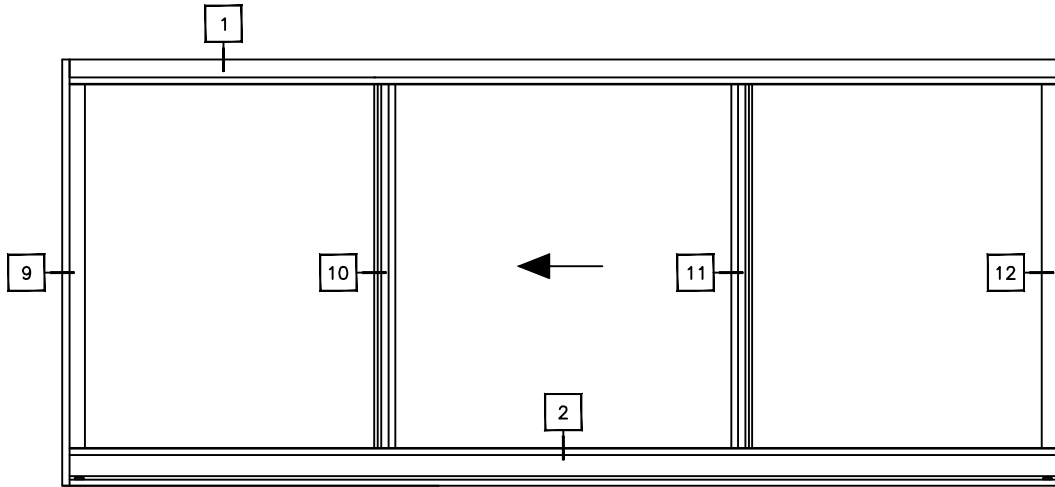
Let's Shine.

800.737.2800 • fax 417.862.1232 • [BoydAluminum.com](http://BoydAluminum.com)

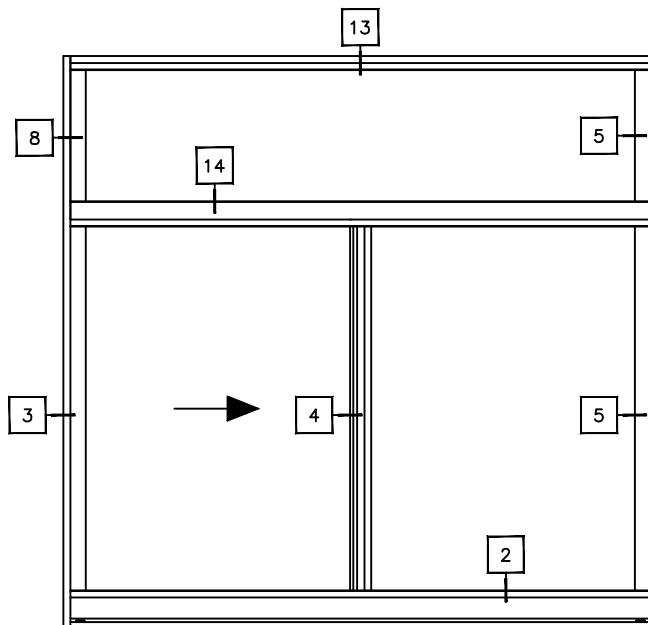
©2011 Boyd Aluminum Manufacturing. The Boyd sunburst and logotype are trademarks of Boyd Aluminum Manufacturing. All rights reserved. Due to continued product research, specifications are subject to change without notice.

**D1-2**

Boyd 2012



HORIZONTAL SLIDER (OXO)



FIXED / HORIZONTAL SLIDER

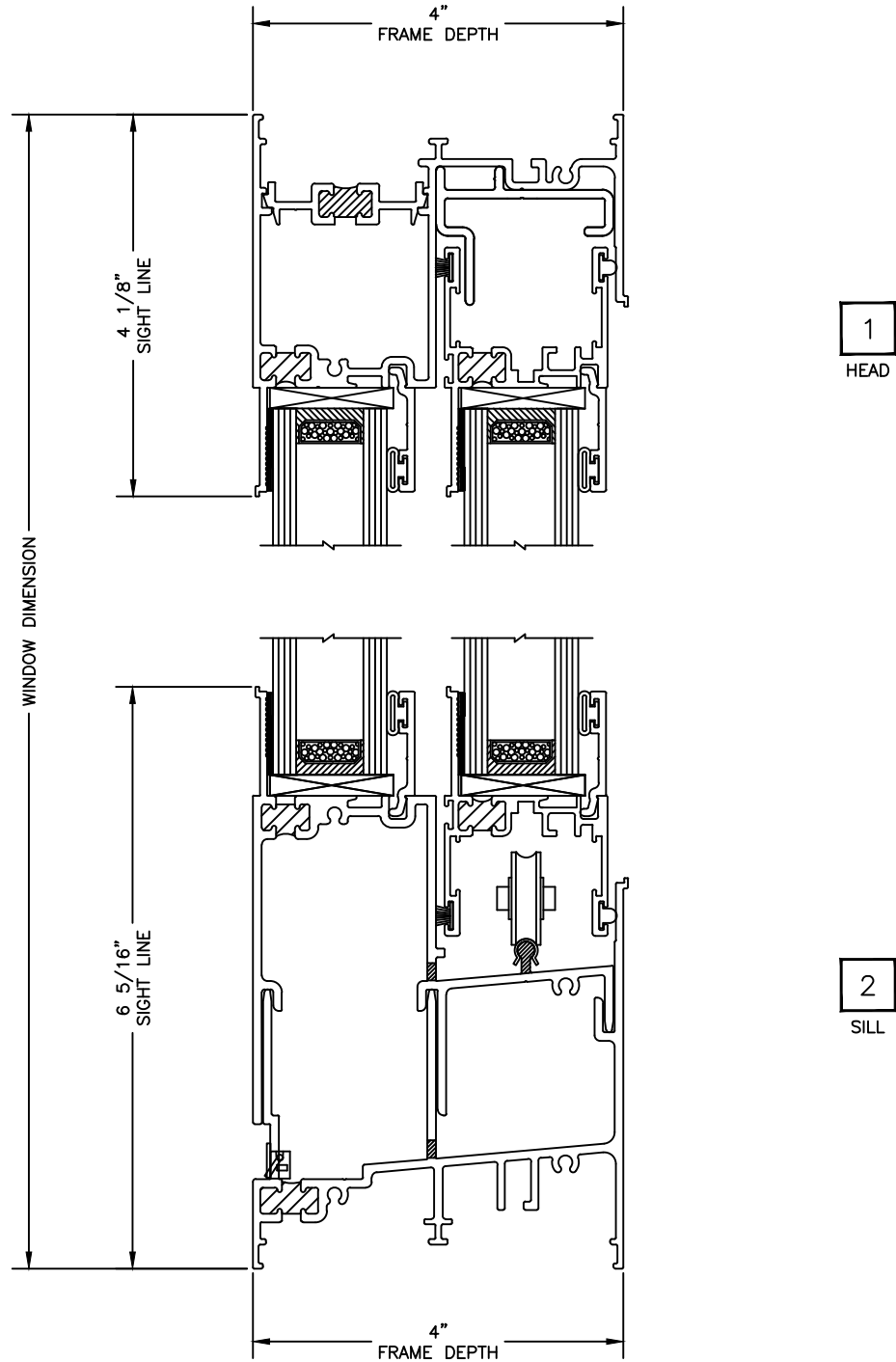
Let's Shine.

800.737.2800 • fax 417.862.1232 • [BoydAluminum.com](http://BoydAluminum.com)

©2011 Boyd Aluminum Manufacturing. The Boyd sunburst and logotype are trademarks of Boyd Aluminum Manufacturing. All rights reserved. Due to continued product research, specifications are subject to change without notice.

**D1-3**

Boyd 2012

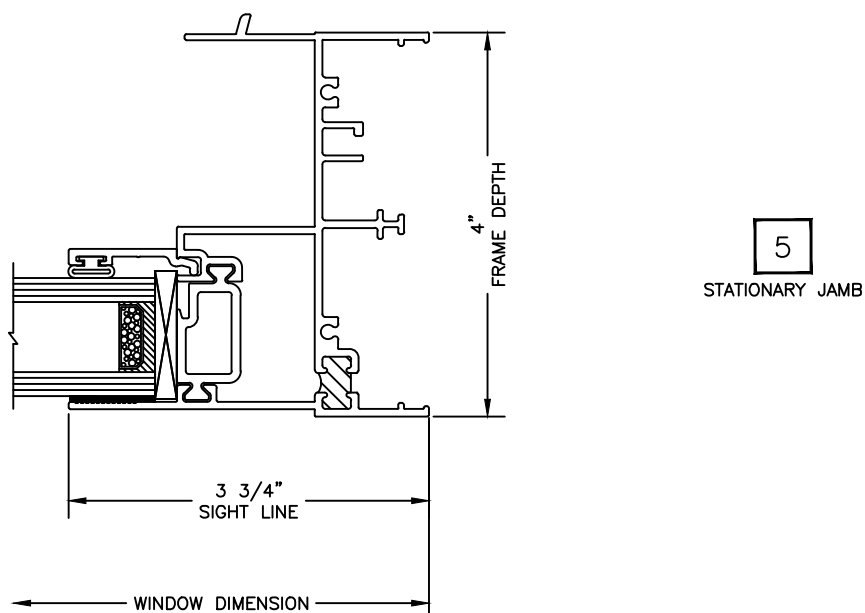
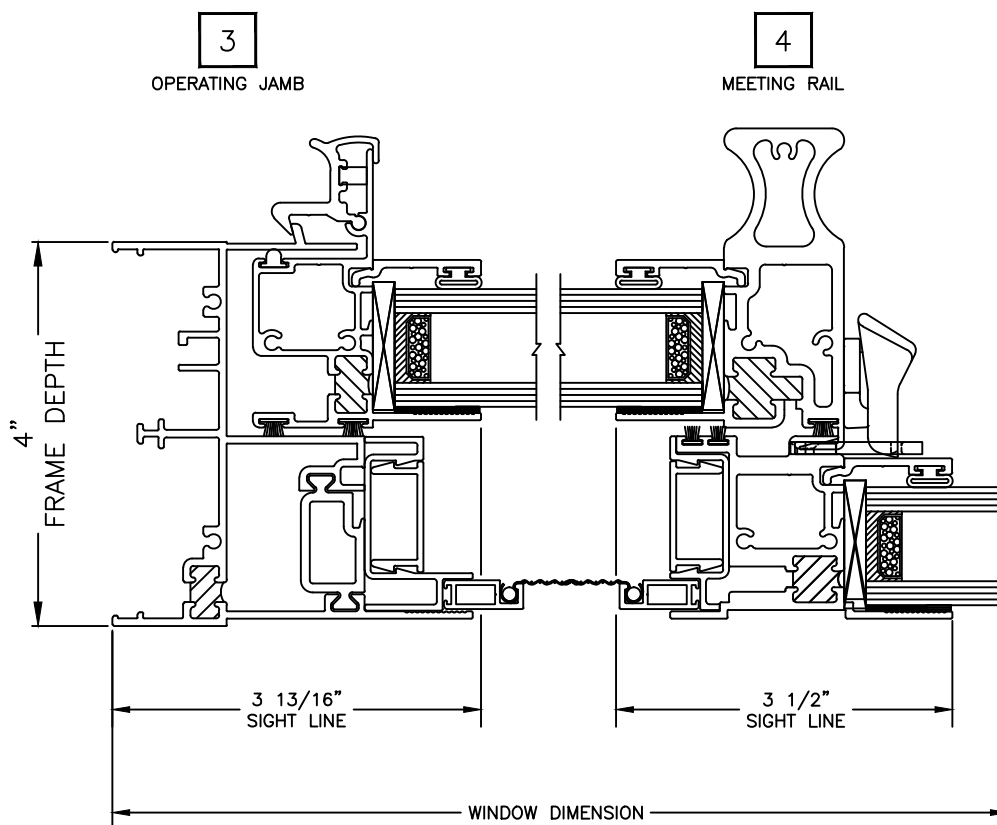


Let's Shine.

800.737.2800 • fax 417.862.1232 • [BoydAluminum.com](http://BoydAluminum.com)

©2011 Boyd Aluminum Manufacturing. The Boyd sunburst and logotype are trademarks of Boyd Aluminum Manufacturing. All rights reserved. Due to continued product research, specifications are subject to change without notice.

**D1-4**  
Boyd 2012

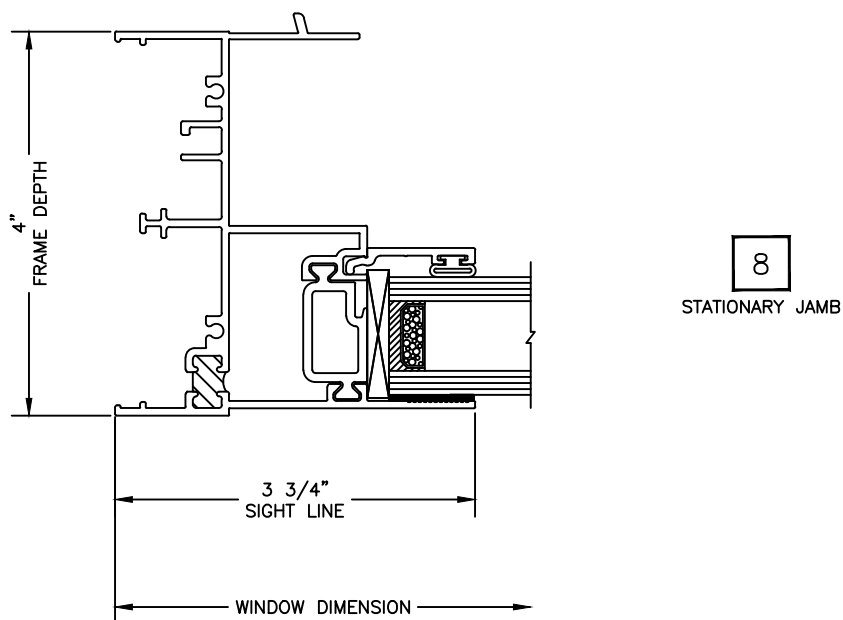
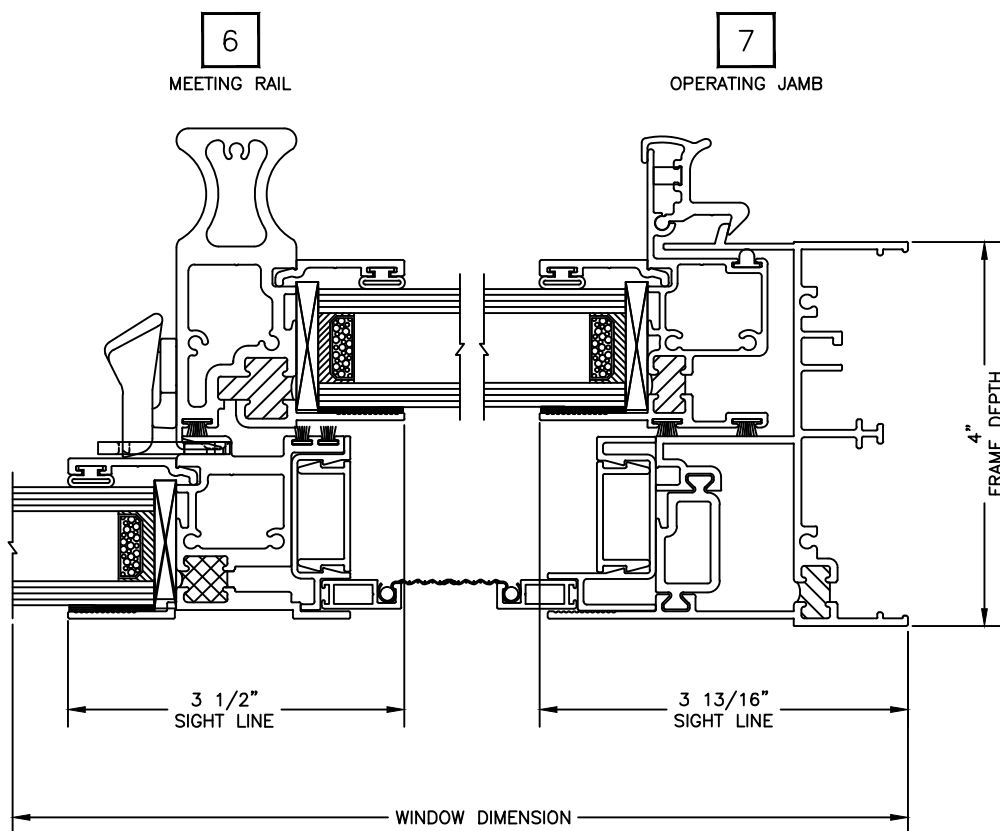


Let's Shine.

800.737.2800 • fax 417.862.1232 • [BoydAluminum.com](http://BoydAluminum.com)

©2011 Boyd Aluminum Manufacturing. The Boyd sunburst and logotype are trademarks of Boyd Aluminum Manufacturing. All rights reserved. Due to continued product research, specifications are subject to change without notice.

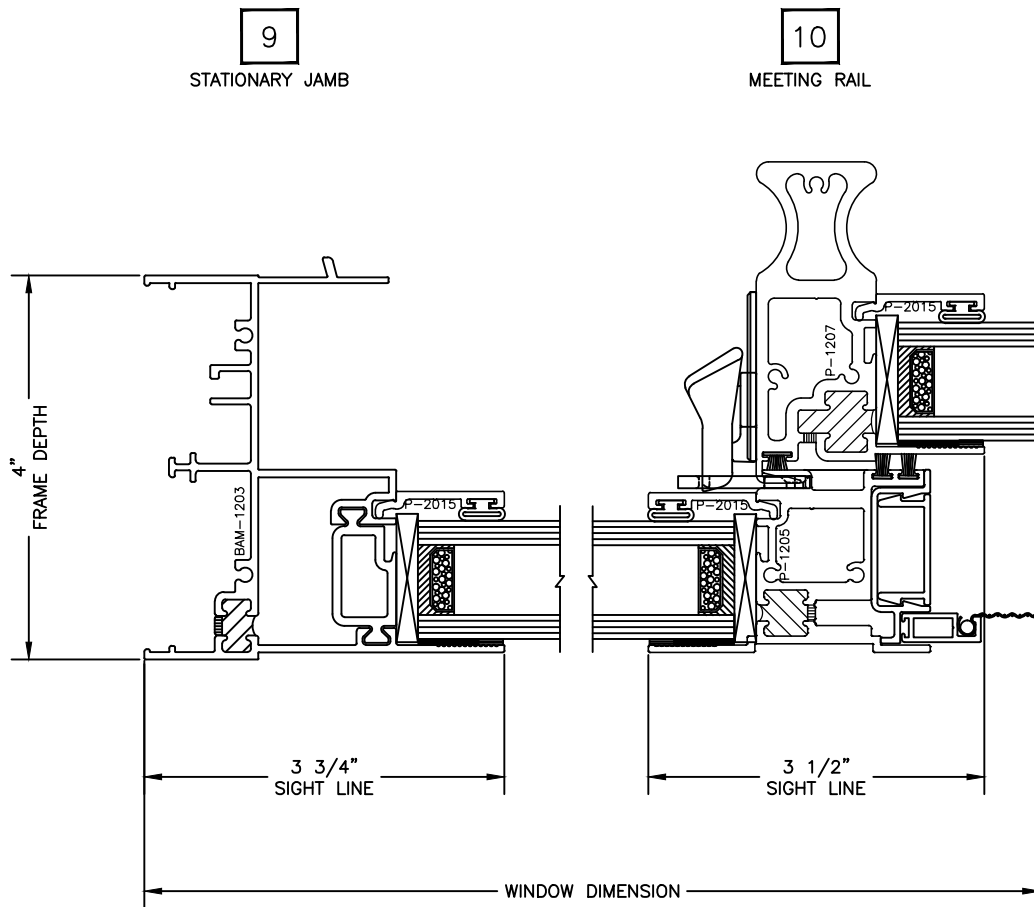
**D1-5**  
Boyd 2012



Let's Shine.

800.737.2800 • fax 417.862.1232 • [BoydAluminum.com](http://BoydAluminum.com)

©2011 Boyd Aluminum Manufacturing. The Boyd sunburst and logotype are trademarks of Boyd Aluminum Manufacturing. All rights reserved. Due to continued product research, specifications are subject to change without notice.

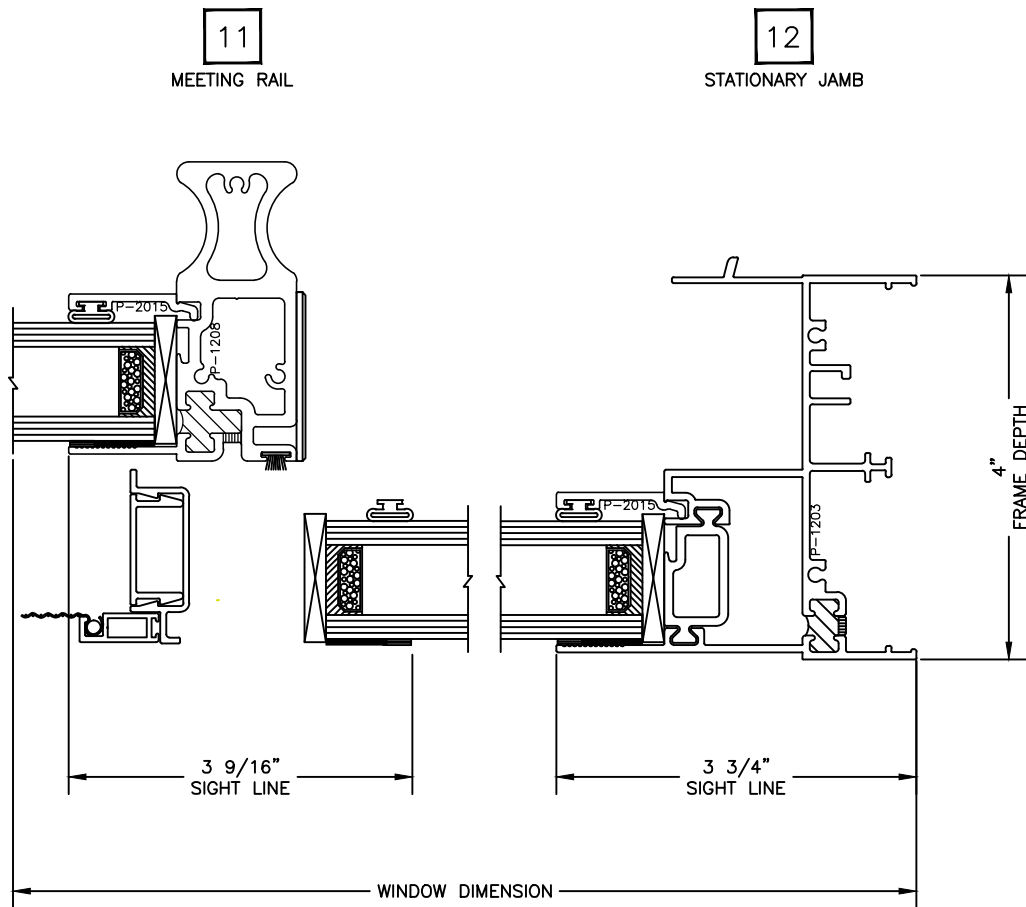


Let's Shine.

800.737.2800 • fax 417.862.1232 • [BoydAluminum.com](http://BoydAluminum.com)

©2011 Boyd Aluminum Manufacturing. The Boyd sunburst and logotype are trademarks of Boyd Aluminum Manufacturing. All rights reserved. Due to continued product research, specifications are subject to change without notice.

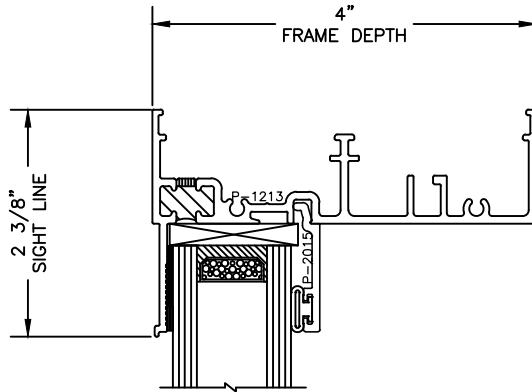
**D1-7**  
Boyd 2012



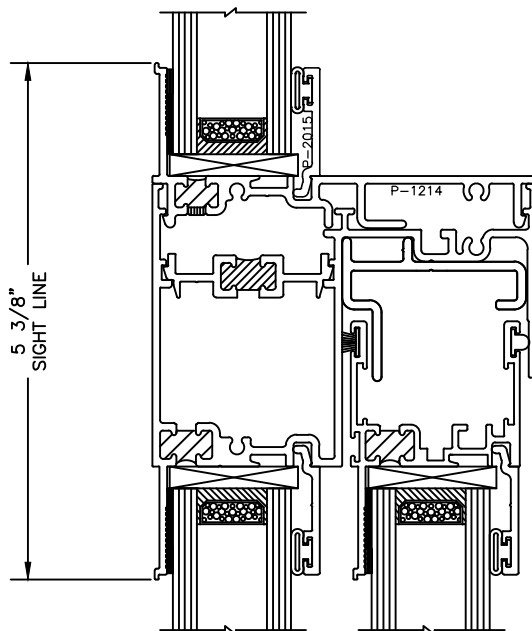
Let's Shine.

800.737.2800 • fax 417.862.1232 • [BoydAluminum.com](http://BoydAluminum.com)

©2011 Boyd Aluminum Manufacturing. The Boyd sunburst and logotype are trademarks of Boyd Aluminum Manufacturing. All rights reserved. Due to continued product research, specifications are subject to change without notice.



13  
FIXED HEAD



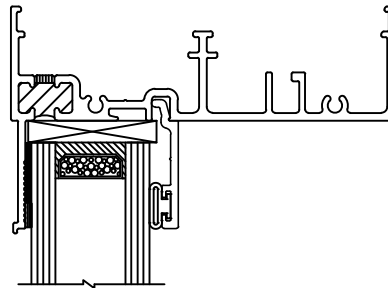
14  
MULLION

Let's Shine.

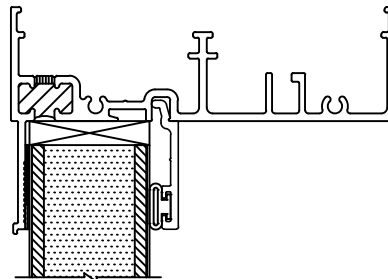
800.737.2800 • fax 417.862.1232 • [BoydAluminum.com](http://BoydAluminum.com)

©2011 Boyd Aluminum Manufacturing. The Boyd sunburst and logotype are trademarks of Boyd Aluminum Manufacturing. All rights reserved. Due to continued product research, specifications are subject to change without notice.

## Glazing Options



1 1/4" INSULATED GLASS



1 1/4" INSULATED PANEL