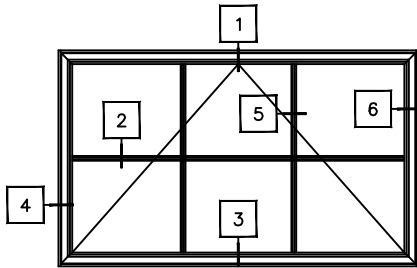


PROJECT OUT SERIES 6300

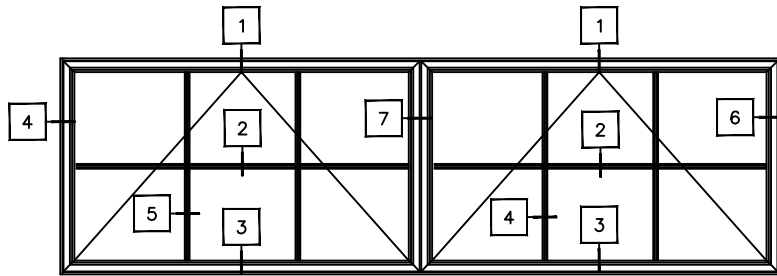
AAMA/WDMA/CSA 101/I.S.2/A440-08

Rating:	AP-AW100
Air Infiltration:	0.01 cfm/ft at 6.2 psf
Water Resistance:	No Leakage at 15.00 psf
Structural Performance:	150.00 psf
Thermal Break:	Yes
Main Frame Depth:	3 1/4"
Glazing Thickness:	1" - Maximum

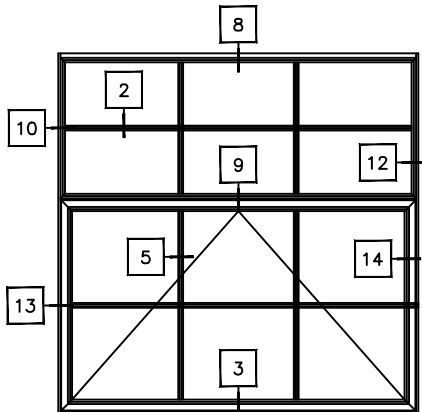
Let's Shine.



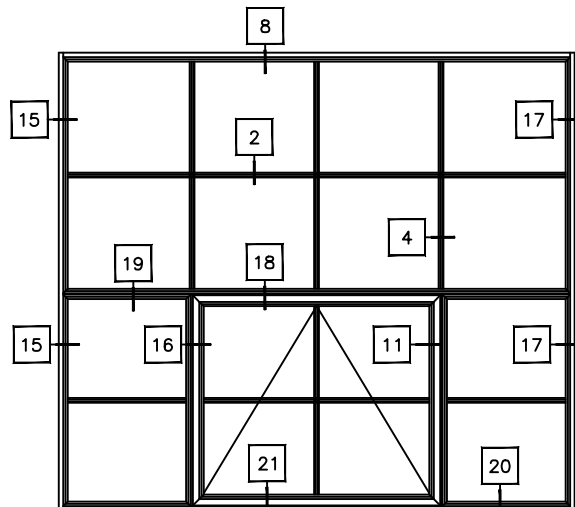
PROJECT OUT



PROJECT OUT/PROJECT OUT



FIXED/PROJECT OUT



FIXED
FIXED/PROJECT OUT/FIXED

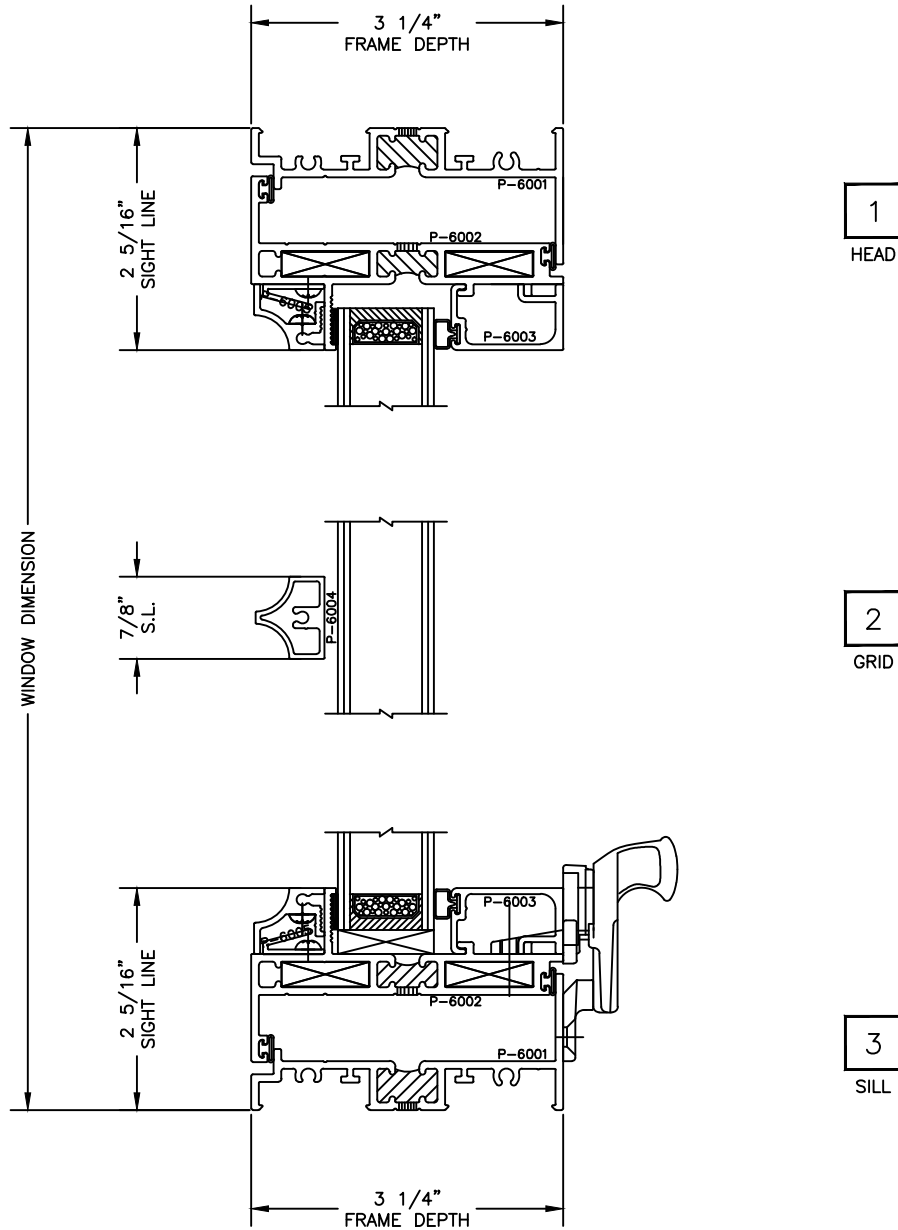
Let's Shine.

800.737.2800 • fax 417.862.1232 • BoydAluminum.com

©2011 Boyd Aluminum Manufacturing. The Boyd sunburst and logotype are trademarks of Boyd Aluminum Manufacturing. All rights reserved. Due to continued product research, specifications are subject to change without notice.

A1-2

Boyd 2012



Let's Shine.

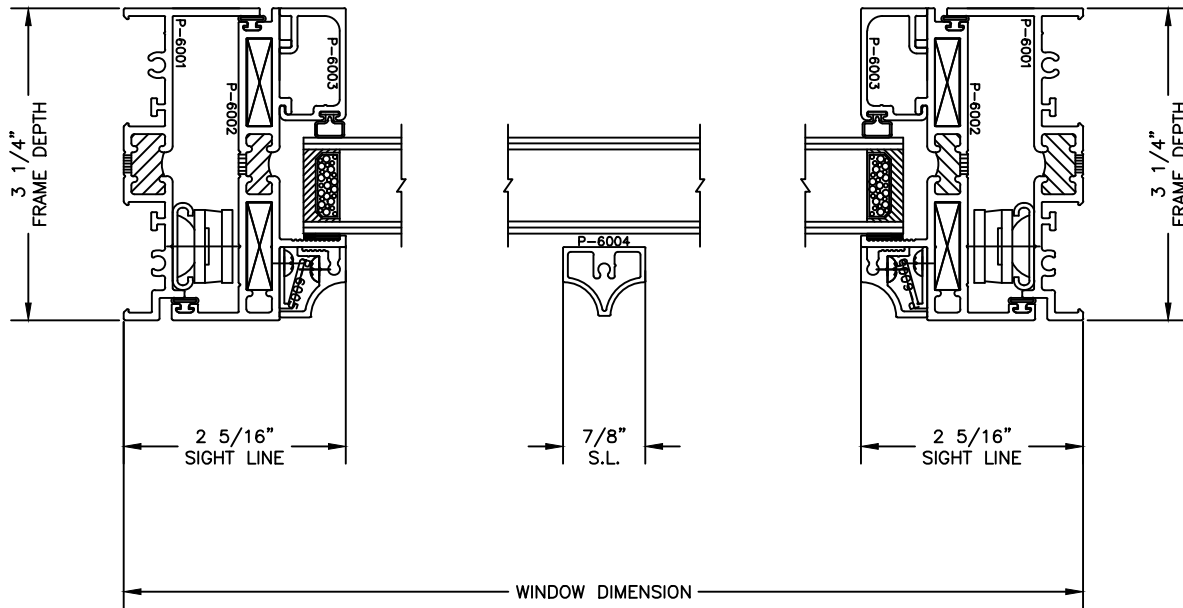
800.737.2800 • fax 417.862.1232 • BoydAluminum.com

©2011 Boyd Aluminum Manufacturing. The Boyd sunburst and logotype are trademarks of Boyd Aluminum Manufacturing. All rights reserved. Due to continued product research, specifications are subject to change without notice.

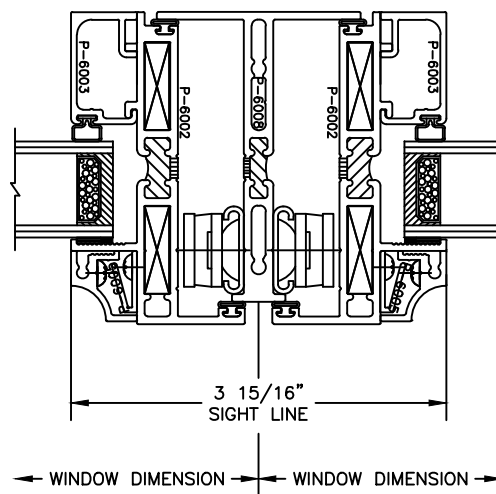
4
LEFT JAMB

5
GRID

6
RIGHT JAMB



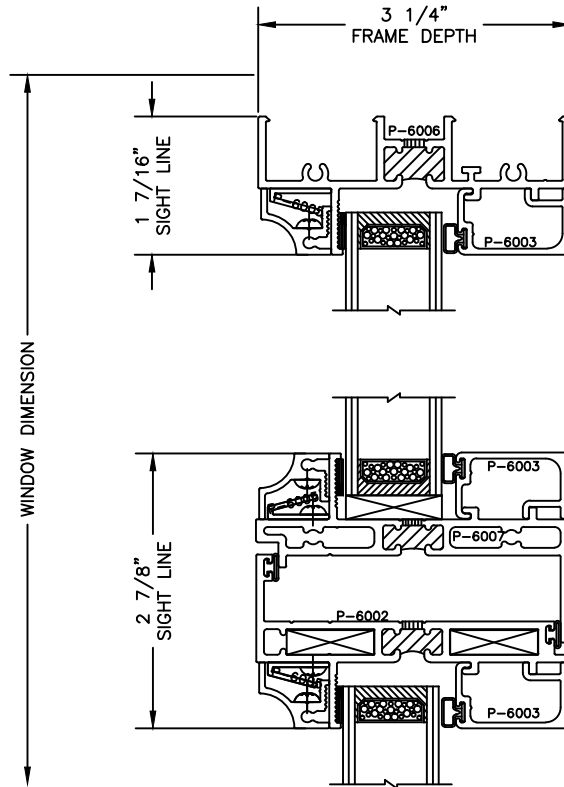
7
MULLION



Let's Shine.

800.737.2800 • fax 417.862.1232 • BoydAluminum.com

©2011 Boyd Aluminum Manufacturing. The Boyd sunburst and logotype are trademarks of Boyd Aluminum Manufacturing. All rights reserved. Due to continued product research, specifications are subject to change without notice.



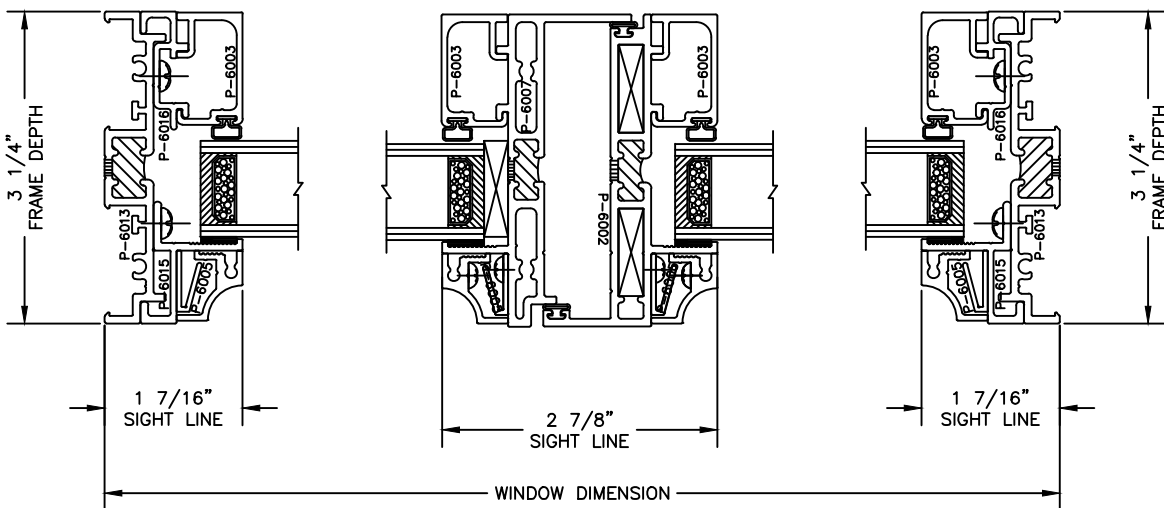
8
FIXED HEAD

9
FIXED/PROJECT OUT

10
LEFT UNIVERSAL FIXED JAMB

11
MEETING RAIL

12
RIGHT UNIVERSAL FIXED JAMB



Let's Shine.

800.737.2800 • fax 417.862.1232 • BoydAluminum.com

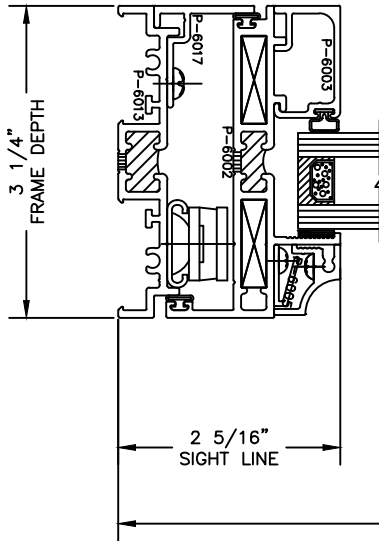
©2011 Boyd Aluminum Manufacturing. The Boyd sunburst and logotype are trademarks of Boyd Aluminum Manufacturing. All rights reserved. Due to continued product research, specifications are subject to change without notice.

A1-5

Boyd 2012

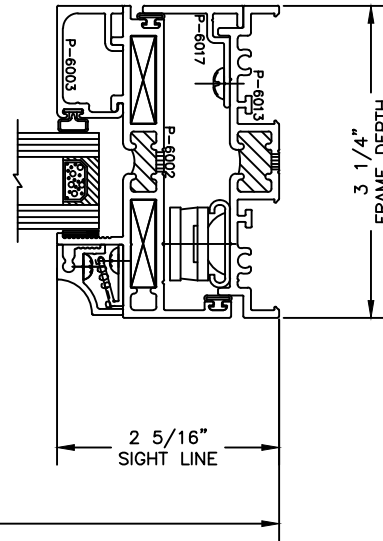
13

LEFT UNIVERSAL JAMB



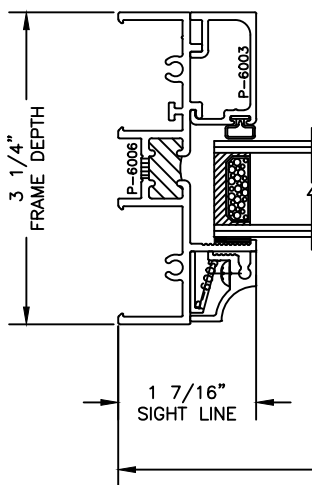
14

RIGHT UNIVERSAL LAMB



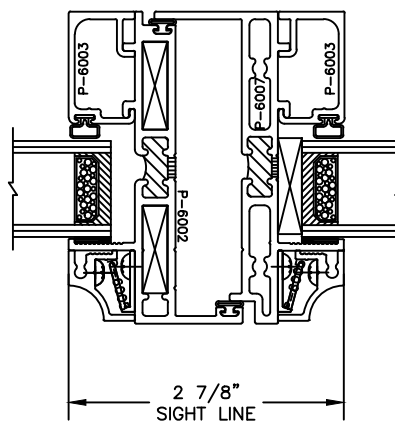
15

LEFT FIXED JAMB



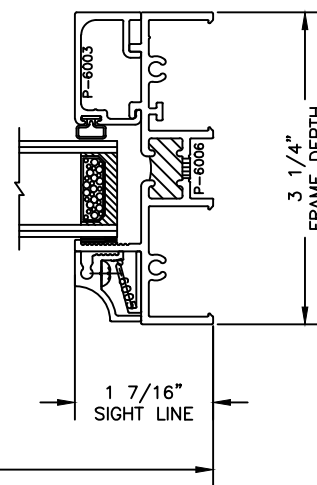
16

MEETING RAIL



17

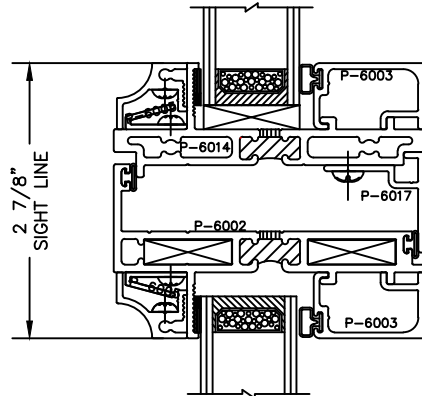
RIGHT FIXED LAMB



Let's Shine.

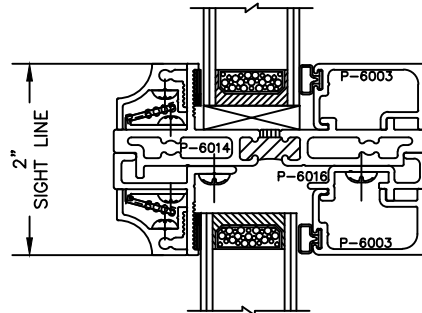
800.737.2800 • fax 417.862.1232 • BoydAluminum.com

©2011 Boyd Aluminum Manufacturing. The Boyd sunburst and logotype are trademarks of Boyd Aluminum Manufacturing. All rights reserved. Due to continued product research, specifications are subject to change without notice.



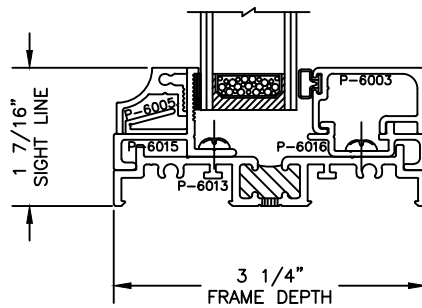
18

UNIVERSAL FIXED/P.O.



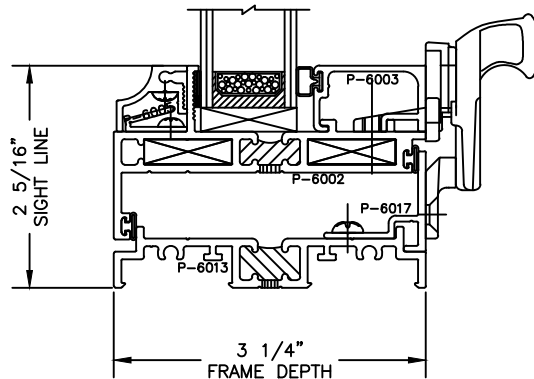
19

UNIVERSAL FIXED/FIXED



20

UNIVERSAL FIXED SILL



21

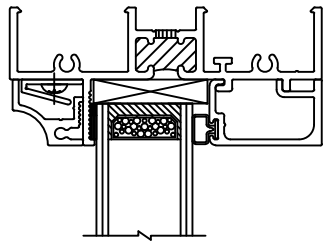
UNIVERSAL P.O. SILL

Let's Shine.

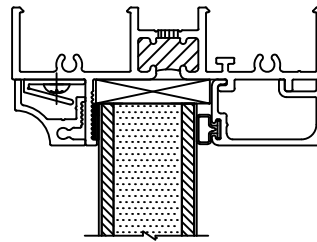
800.737.2800 • fax 417.862.1232 • BoydAluminum.com

©2011 Boyd Aluminum Manufacturing. The Boyd sunburst and logotype are trademarks of Boyd Aluminum Manufacturing. All rights reserved. Due to continued product research, specifications are subject to change without notice.

Glazing Options For 6300 Series



1" INSULATED GLASS



1" INSULATED PANEL