

HORIZONTAL SLIDER SERIES 600

AAMA/WDMA/CSA 101/I.S.2/A440-05

Rating:	HS-C45
Air Infiltration:	0.03 cfm/ft at 1.57 psf
Water Resistance:	No Leakage at 6.89 psf
Structural Performance:	67.67 psf
Thermal Break:	Yes
C.R.F.:	50
Thermal U Value:	.67
Main Frame Depth:	2 3/8"
Glazing Thickness:	3/4" - Maximum

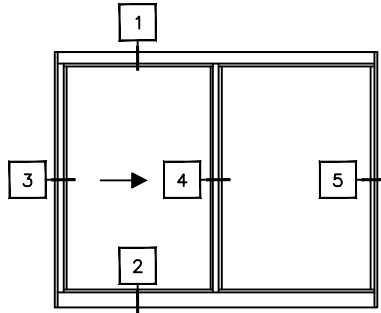
Let's Shine.

800.737.2800 • fax 417.862.1232 • BoydAluminum.com

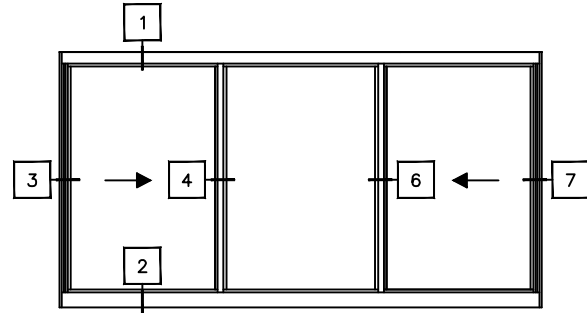
©2011 Boyd Aluminum Manufacturing. The Boyd sunburst and logotype are trademarks of Boyd Aluminum Manufacturing. All rights reserved. Due to continued product research, specifications are subject to change without notice.

D4-1

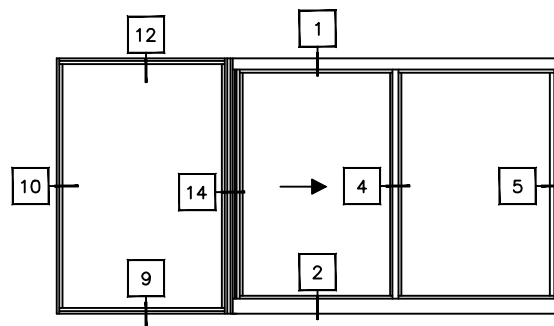
Boyd 2012



HORIZONTAL SLIDER



HORIZONTAL SLIDER (XOX)



FIXED / HORIZONTAL SLIDER

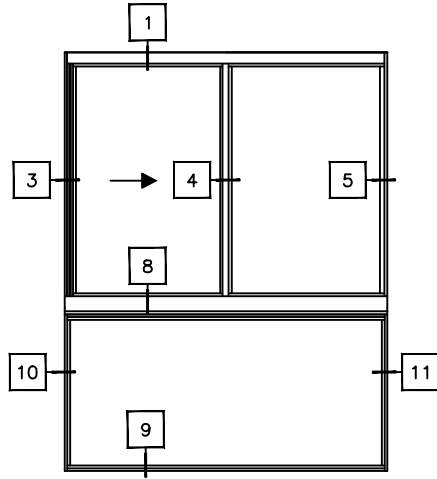
Let's Shine.

800.737.2800 • fax 417.862.1232 • BoydAluminum.com

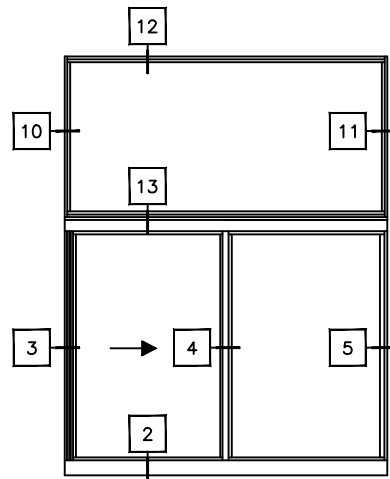
©2011 Boyd Aluminum Manufacturing. The Boyd sunburst and logotype are trademarks of Boyd Aluminum Manufacturing. All rights reserved. Due to continued product research, specifications are subject to change without notice.

D4-2

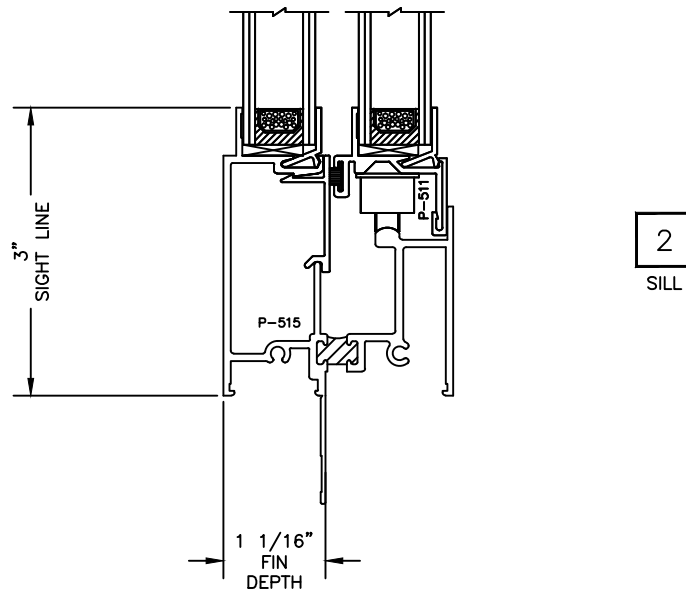
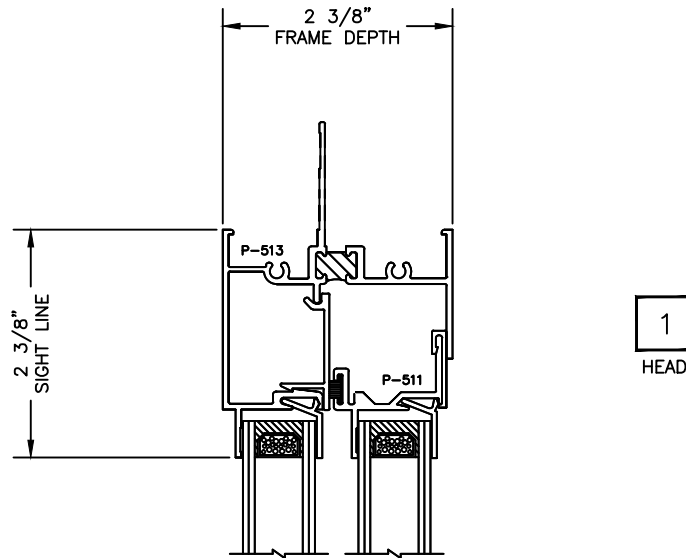
Boyd 2012



HORIZONTAL SLIDER / FIXED



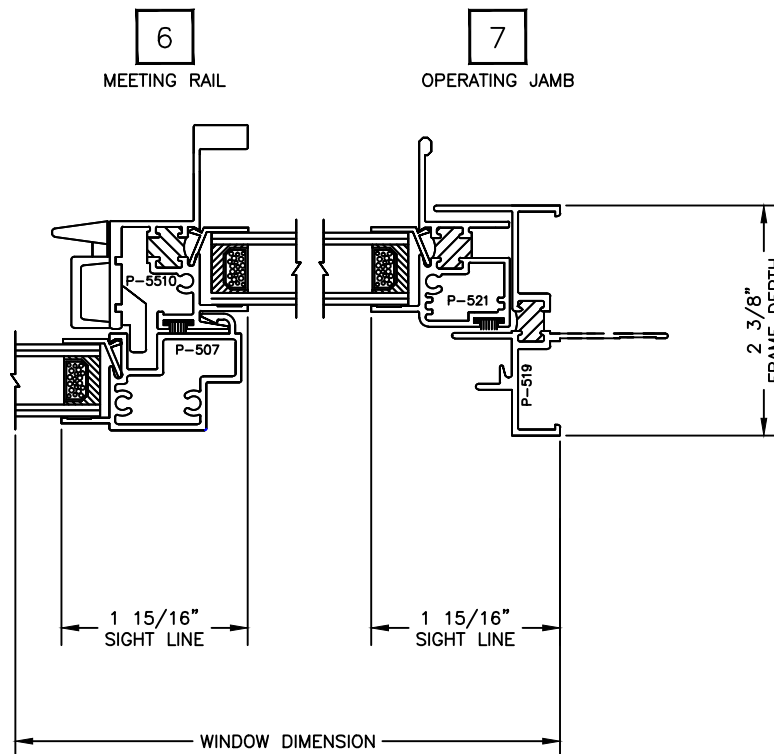
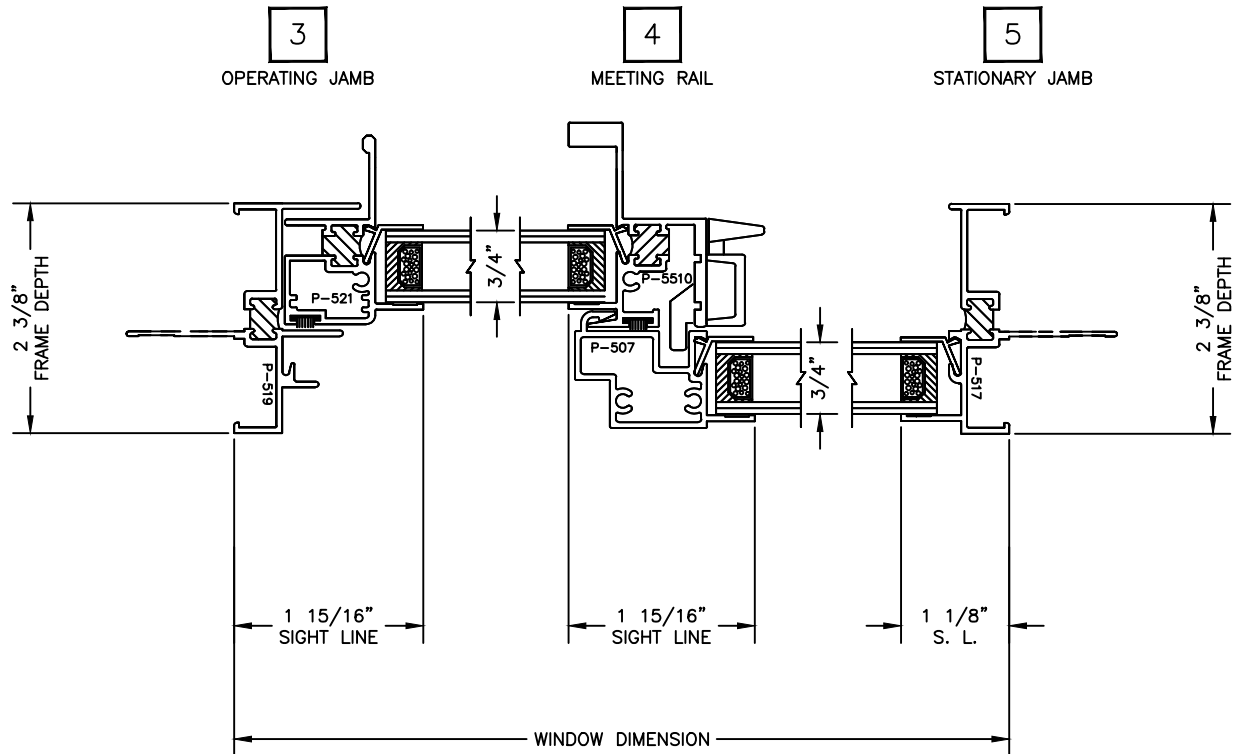
FIXED / HORIZONTAL SLIDER



Let's Shine.

800.737.2800 • fax 417.862.1232 • BoydAluminum.com

©2011 Boyd Aluminum Manufacturing. The Boyd sunburst and logotype are trademarks of Boyd Aluminum Manufacturing. All rights reserved. Due to continued product research, specifications are subject to change without notice.



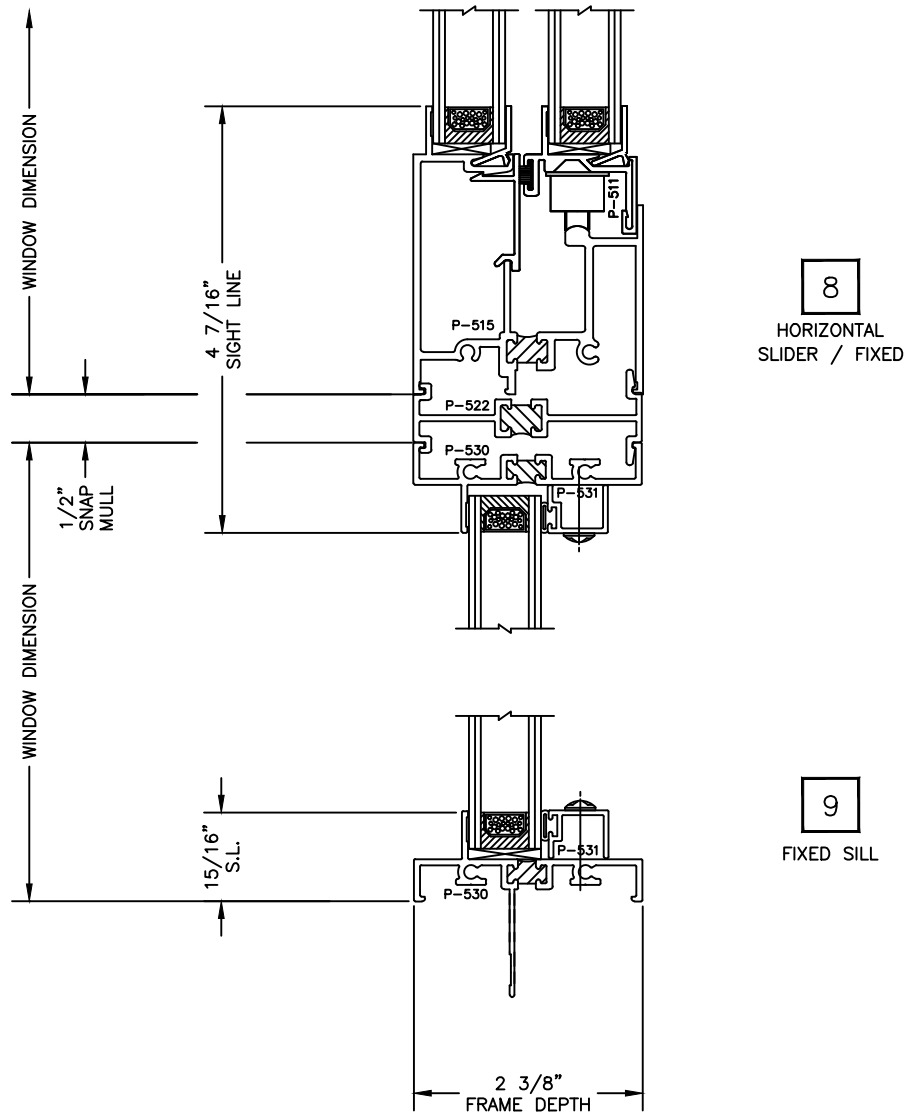
Let's Shine.

800.737.2800 • fax 417.862.1232 • BoydAluminum.com

©2011 Boyd Aluminum Manufacturing. The Boyd sunburst and logotype are trademarks of Boyd Aluminum Manufacturing. All rights reserved. Due to continued product research, specifications are subject to change without notice.

D4-5

Boyd 2012



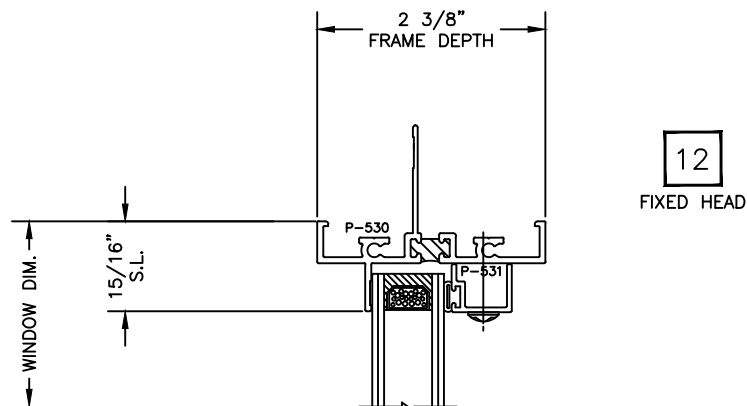
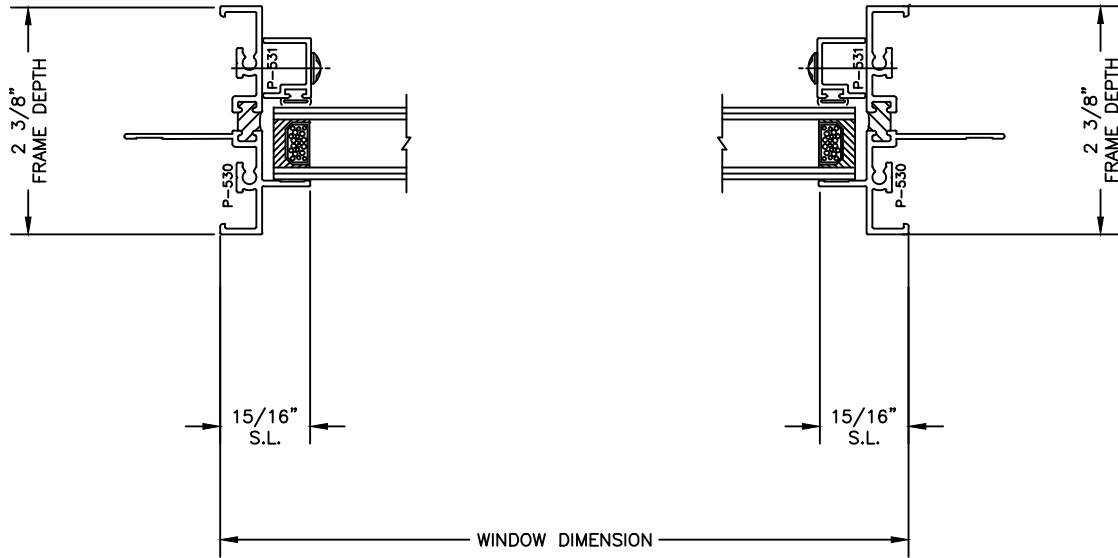
Let's Shine.

800.737.2800 • fax 417.862.1232 • BoydAluminum.com

©2011 Boyd Aluminum Manufacturing. The Boyd sunburst and logotype are trademarks of Boyd Aluminum Manufacturing. All rights reserved. Due to continued product research, specifications are subject to change without notice.

10
LEFT FIXED JAMB

11
RIGHT FIXED JAMB



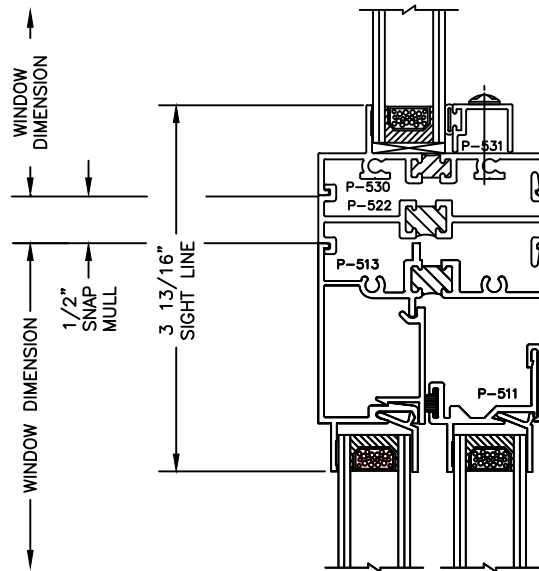
12
FIXED HEAD

Let's Shine.

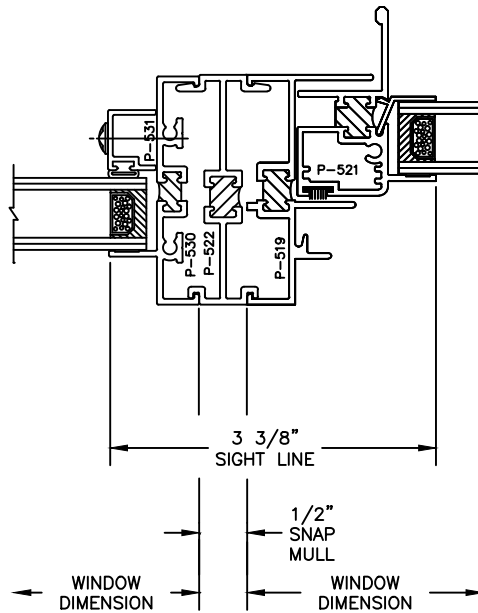
800.737.2800 • fax 417.862.1232 • BoydAluminum.com

©2011 Boyd Aluminum Manufacturing. The Boyd sunburst and logotype are trademarks of Boyd Aluminum Manufacturing. All rights reserved. Due to continued product research, specifications are subject to change without notice.

D4-7
Boyd 2012



13
FIXED / HORIZONTAL
SLIDER



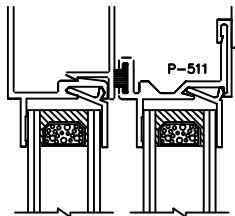
14
FIXED / OPERATING
JAMB

Let's Shine.

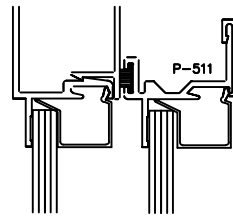
800.737.2800 • fax 417.862.1232 • BoydAluminum.com

©2011 Boyd Aluminum Manufacturing. The Boyd sunburst and logotype are trademarks of Boyd Aluminum Manufacturing. All rights reserved. Due to continued product research, specifications are subject to change without notice.

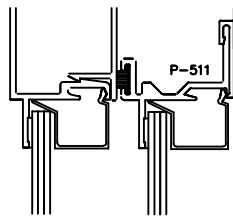
Glazing Options



3/4" INSULATED GLASS



1/4" SINGLE GLASS



1/8" SINGLE GLASS

Let's Shine.

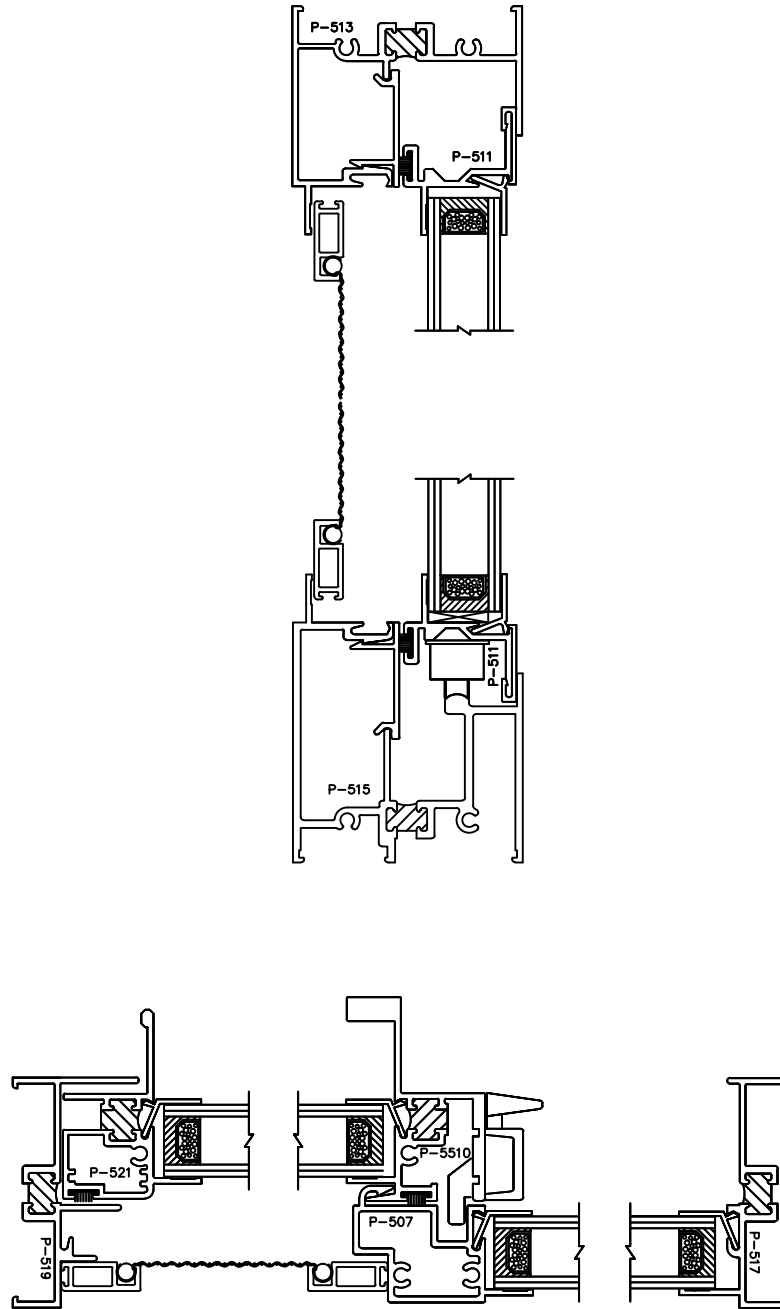
800.737.2800 • fax 417.862.1232 • BoydAluminum.com

©2011 Boyd Aluminum Manufacturing. The Boyd sunburst and logotype are trademarks of Boyd Aluminum Manufacturing. All rights reserved. Due to continued product research, specifications are subject to change without notice.

D4-9

Boyd 2012

Screens



Let's Shine.

800.737.2800 • fax 417.862.1232 • BoydAluminum.com

©2011 Boyd Aluminum Manufacturing. The Boyd sunburst and logotype are trademarks of Boyd Aluminum Manufacturing. All rights reserved. Due to continued product research, specifications are subject to change without notice.