

## **CASEMENT PROJECT OUT SERIES 2400**

AAMA/WDMA/CSA 101/I.S.2/A440-05

Rating:	C-HC60 C-AW60
Air Infiltration:	0.01 cfm/ft at 6.2 psf
Water Resistance:	No Leakage at 15.00 psf
Structural Performance:	90.23 psf
Thermal Break:	Yes
Main Frame Depth:	2 3/8"
Glazing Thickness:	1 1/2" - Maximum

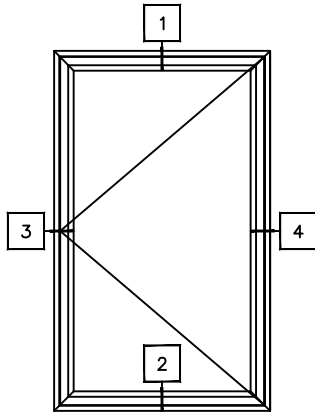
Let's Shine.

800.737.2800 • fax 417.862.1232 • [BoydAluminum.com](http://BoydAluminum.com)

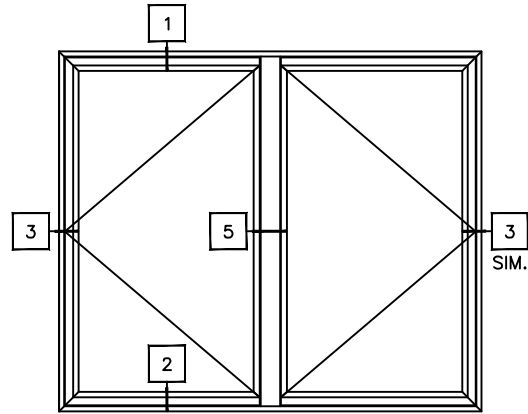
©2011 Boyd Aluminum Manufacturing. The Boyd sunburst and logotype are trademarks of Boyd Aluminum Manufacturing. All rights reserved. Due to continued product research, specifications are subject to change without notice.

**C3-1**

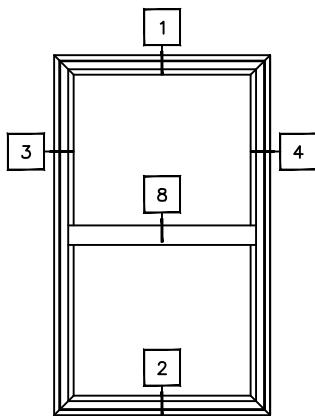
Boyd 2012



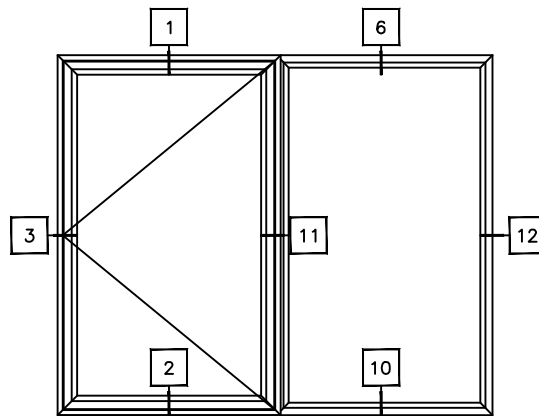
CASEMENT



CASEMENT / CASEMENT



CASEMENT WITH TRUE MUNTIN

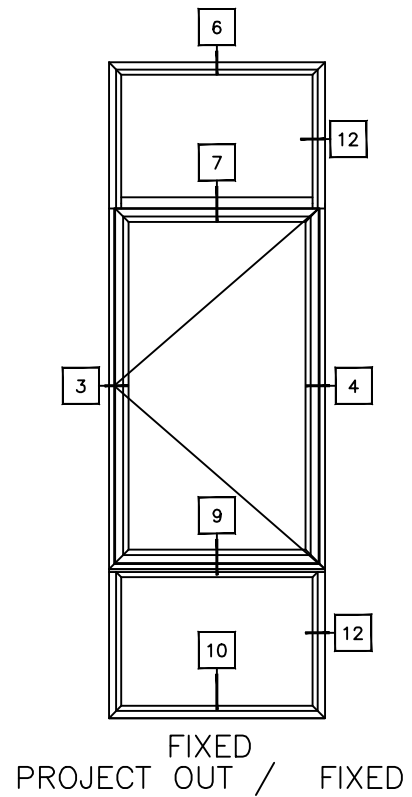
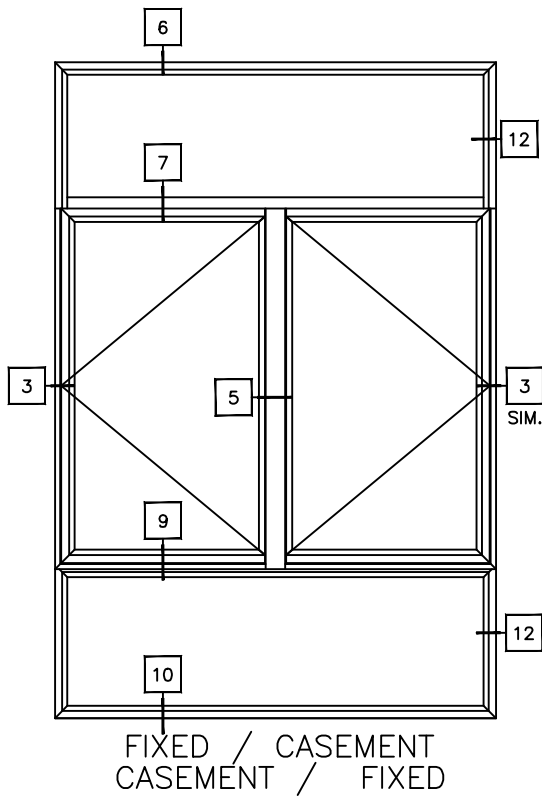


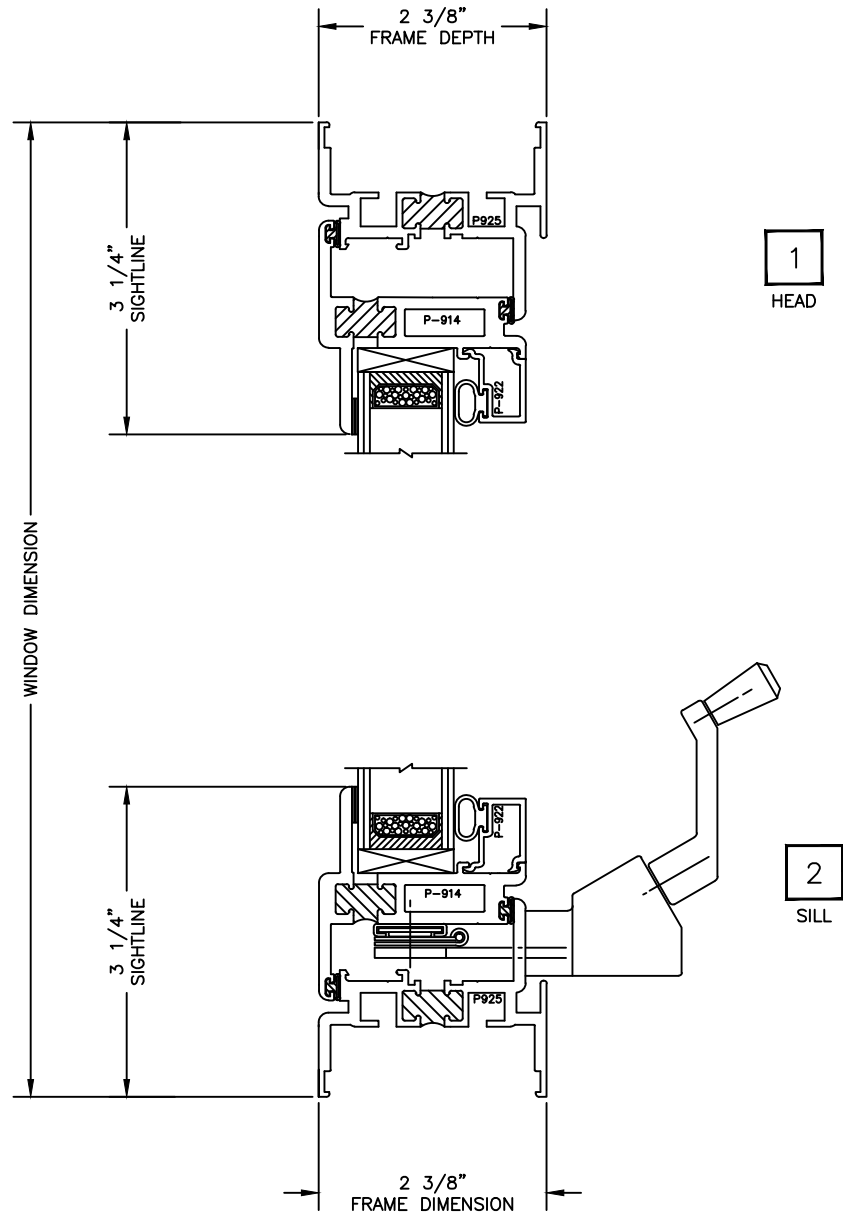
CASEMENT / FIXED

Let's Shine.

800.737.2800 • fax 417.862.1232 • [BoydAluminum.com](http://BoydAluminum.com)

©2011 Boyd Aluminum Manufacturing. The Boyd sunburst and logotype are trademarks of Boyd Aluminum Manufacturing. All rights reserved. Due to continued product research, specifications are subject to change without notice.

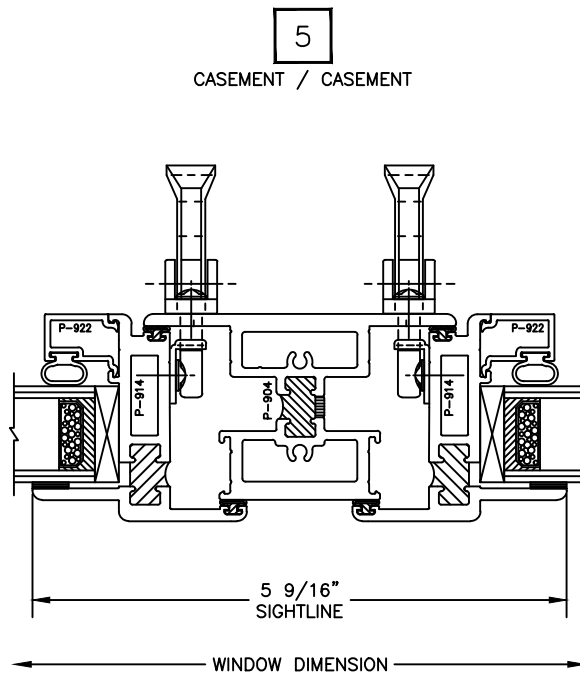
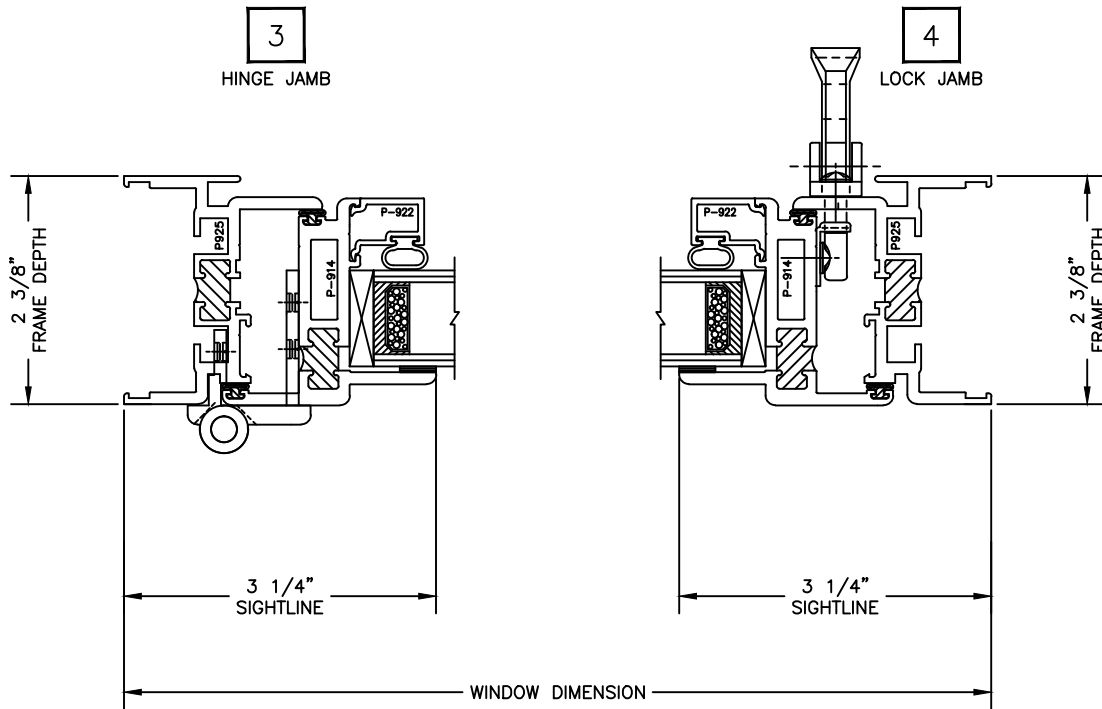




Let's Shine.

800.737.2800 • fax 417.862.1232 • [BoydAluminum.com](http://BoydAluminum.com)

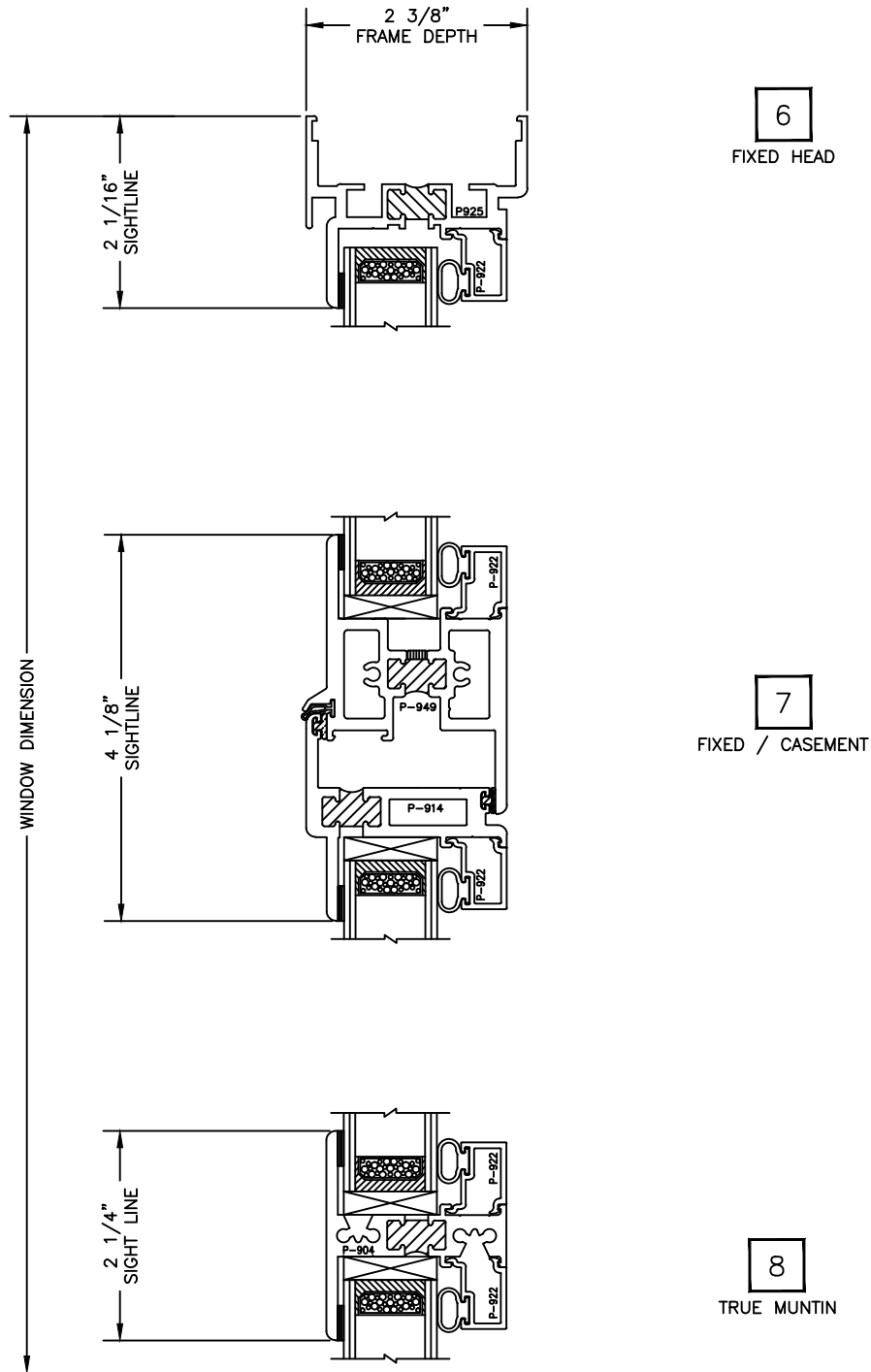
©2011 Boyd Aluminum Manufacturing. The Boyd sunburst and logotype are trademarks of Boyd Aluminum Manufacturing. All rights reserved. Due to continued product research, specifications are subject to change without notice.



Let's Shine.

800.737.2800 • fax 417.862.1232 • [BoydAluminum.com](http://BoydAluminum.com)

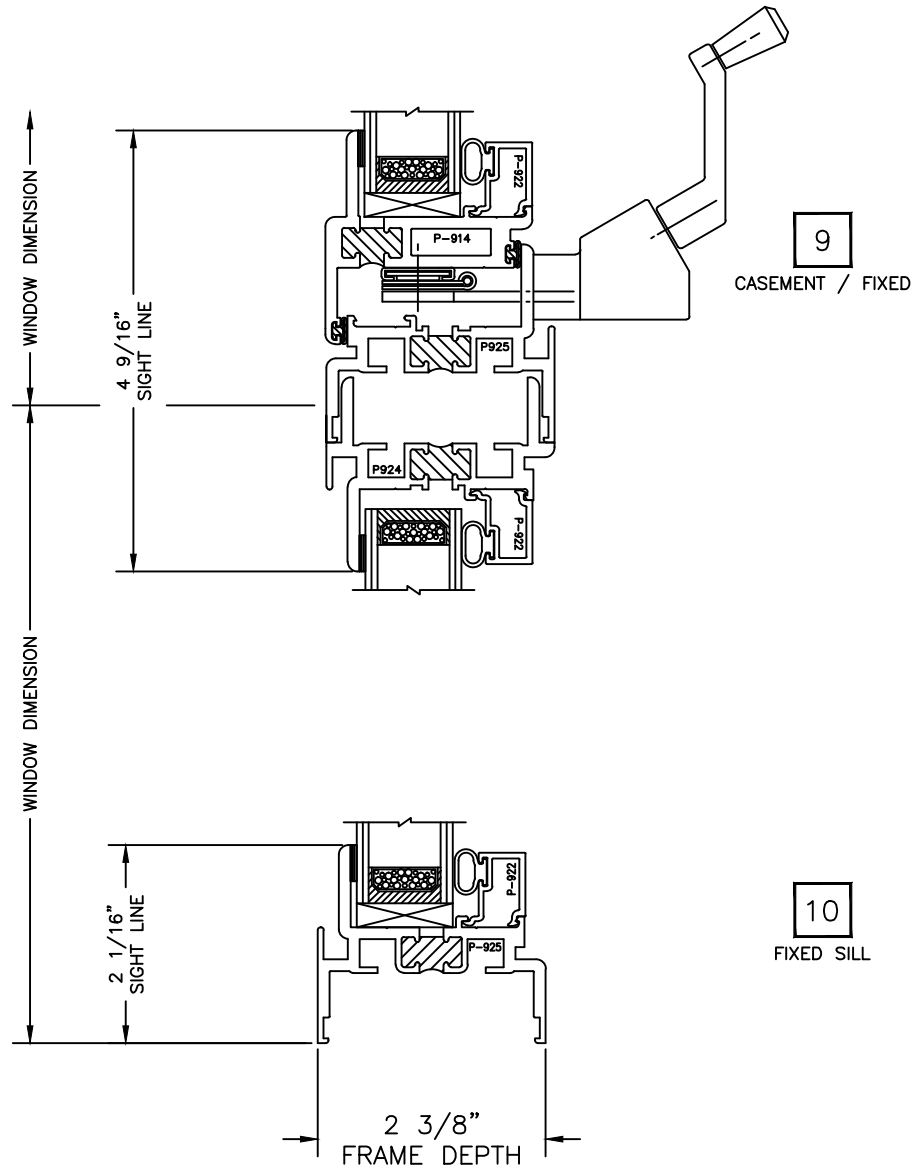
©2011 Boyd Aluminum Manufacturing. The Boyd sunburst and logotype are trademarks of Boyd Aluminum Manufacturing. All rights reserved. Due to continued product research, specifications are subject to change without notice.



Let's Shine.

800.737.2800 • fax 417.862.1232 • [BoydAluminum.com](http://BoydAluminum.com)

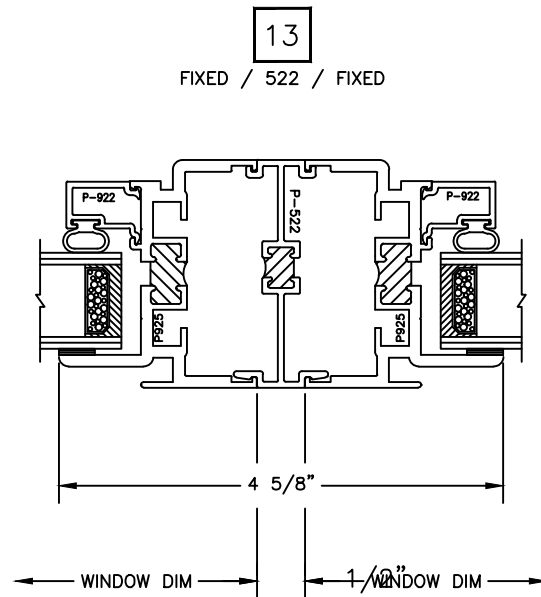
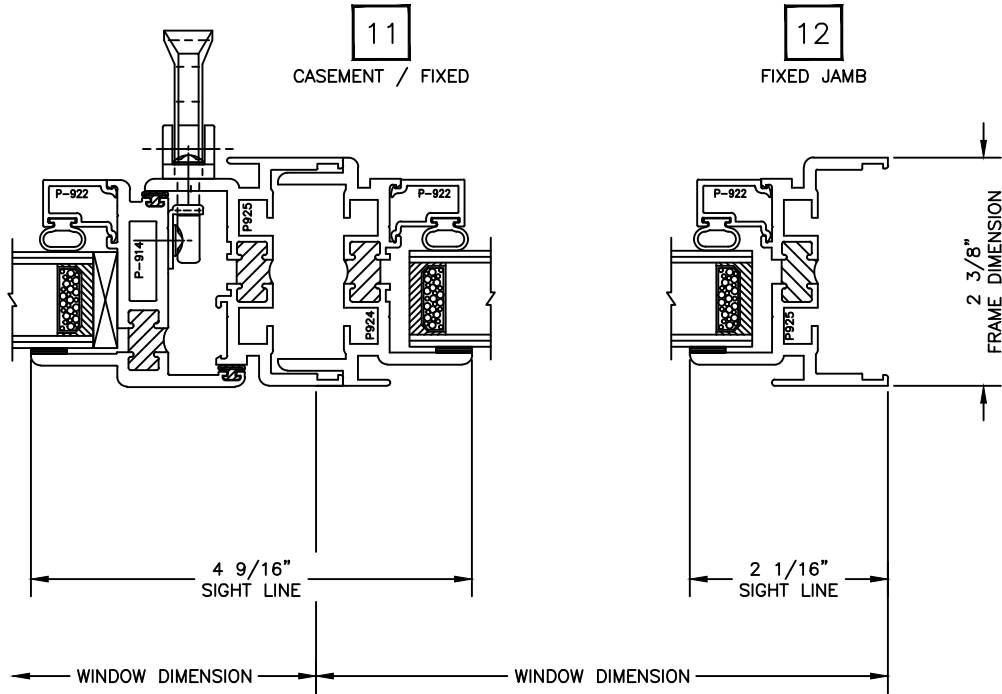
©2011 Boyd Aluminum Manufacturing. The Boyd sunburst and logotype are trademarks of Boyd Aluminum Manufacturing. All rights reserved. Due to continued product research, specifications are subject to change without notice.



Let's Shine.

800.737.2800 • fax 417.862.1232 • [BoydAluminum.com](http://BoydAluminum.com)

©2011 Boyd Aluminum Manufacturing. The Boyd sunburst and logotype are trademarks of Boyd Aluminum Manufacturing. All rights reserved. Due to continued product research, specifications are subject to change without notice.



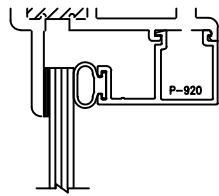
NOTE: ANY 924/925 MULLION MAY BE REPLACED WITH A 925/522/925

Let's Shine.

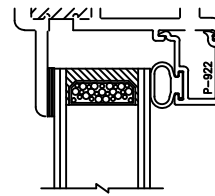
800.737.2800 • fax 417.862.1232 • [BoydAluminum.com](http://BoydAluminum.com)

©2011 Boyd Aluminum Manufacturing. The Boyd sunburst and logotype are trademarks of Boyd Aluminum Manufacturing. All rights reserved. Due to continued product research, specifications are subject to change without notice.

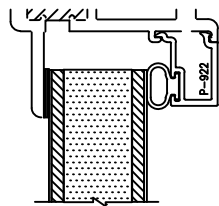
## Glazing Options



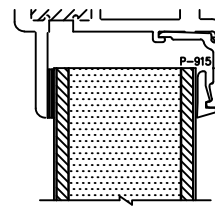
1/4" SINGLE GLAZED



1" INSULATED GLASS



1" INSULATED PANEL



1 1/2" INSULATED PANEL

Let's Shine.

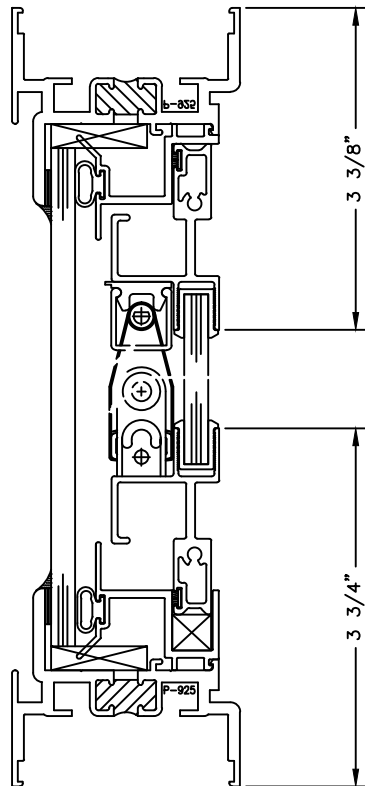
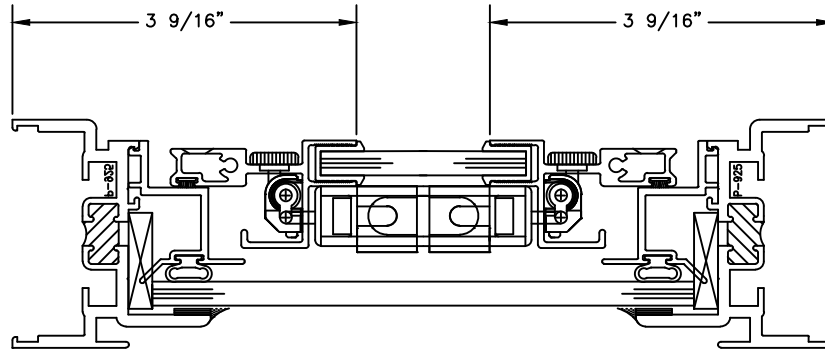
800.737.2800 • fax 417.862.1232 • [BoydAluminum.com](http://BoydAluminum.com)

©2011 Boyd Aluminum Manufacturing. The Boyd sunburst and logotype are trademarks of Boyd Aluminum Manufacturing. All rights reserved. Due to continued product research, specifications are subject to change without notice.

**C3-9**

Boyd 2012

## Blinds

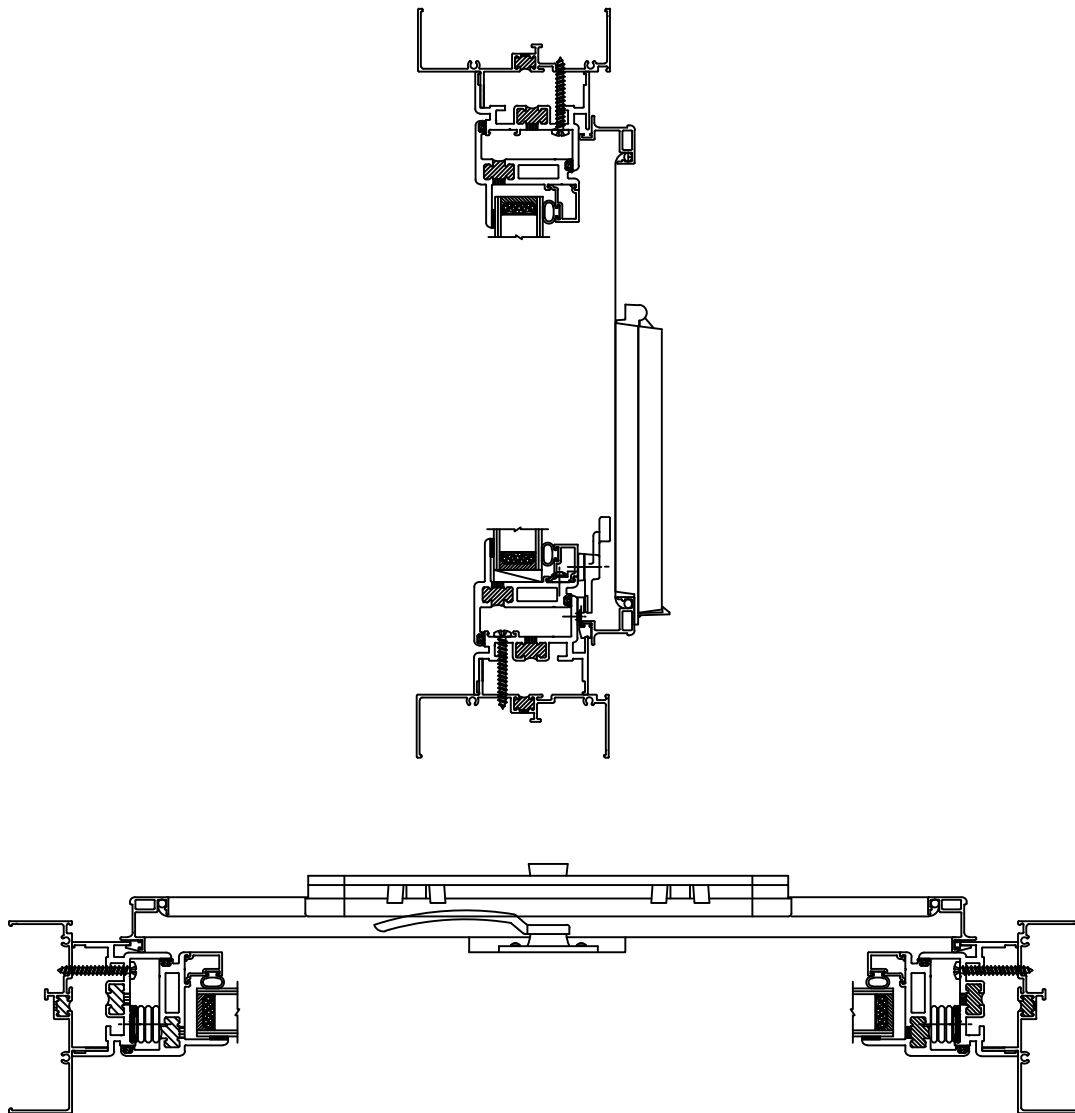


Let's Shine.

800.737.2800 • fax 417.862.1232 • [BoydAluminum.com](http://BoydAluminum.com)

©2011 Boyd Aluminum Manufacturing. The Boyd sunburst and logotype are trademarks of Boyd Aluminum Manufacturing. All rights reserved. Due to continued product research, specifications are subject to change without notice.

## Screens



Let's Shine.

800.737.2800 • fax 417.862.1232 • [BoydAluminum.com](http://BoydAluminum.com)

©2011 Boyd Aluminum Manufacturing. The Boyd sunburst and logotype are trademarks of Boyd Aluminum Manufacturing. All rights reserved. Due to continued product research, specifications are subject to change without notice.